



Optical-audible combinations



Optical-audible combinations

Overview Optical and Audible Combinations

Double the safety with optical-audible signals

Large systems are often managed by only a few people, especially in automated production facilities and large machine shops. This results in optical signals not always being in the machine operator's immediate field of vision. In such cases, an audible signal may also be used. The use of both optical and audible alarms will help to counter an audible alarm not always being heard above an ambient noise level.

Overview Optical and Audible Combinations							
Product type		Installation	Free-standing	Free-standing	Free-standing	Free-standing	Free-standing
Mounting	Product range	Installation Combinations	EvoSIGNAL Mini	EvoSIGNAL Midi	Combinations	Design Combinations	Heavy Duty Combinations
Dimensions (Ø x Height)*		50 x 22 mm	62 x 85 mm	85 x 130 mm	146 x 171 mm 134 x 235 mm	-	
Dimensions (L x H x W)		-	-	-	134 x 407 x 144 mm	109 x 112,5 x 152 mm	136 x 138 x 119 mm 165 x 169 x 132 mm 168 x 211 x 155 mm
Voltage	12 V		●	●			●
	24 V	●	●	●	●	●	●
	60 V						●
	115 V	●	●	●	●	●	●
	230 V	●	●	●	●	●	●
Protection rating		IP65	IP66	IP66	IP65	IP65	IP66
Page		Page 196	Page 201	Page 204	Page 207	Page 213	Page 217

* Technical diagrams can be found on the product page



Variety of signals

WERMA supplies a large number of audible signals which can also be enhanced with the addition of optical light signals.

AUDIBLE SIGNALS: Sirens and Multi-Tone Sounder, Buzzer and Horns

OPTICAL SIGNALS: (LED) Permanent Light, Flashing Light, LED Double Flash Light, LED EVS Signal, LED Permanent/Flash/EVS Light

Size comparison



Series	EvoSIGNAL Mini	EvoSIGNAL Midi	Heavy Duty 441
Ø	62 mm	85 mm	-
Height	85 mm	130 mm	-
L x H x W	-	-	165 x 167 x 132 mm



Installation Combination Beacon with Buzzer

Your benefits

Optical audible Installation Combinations give excellent all-round visibility of the signal and are an industry standard for easy installation in control panels.

- Easy to install
- Tamper-proof when installed
- Minimal protrusion from panel for installations where space is limited
- Acknowledgement function promotes faster response time and fault repair (450 series)

Typical applications

Fault signalling

- in control panels

Installation options

- Installation mounting

Features

- High IP65 protection rating for outdoor applications
- Standard M22 for control panel installation
- Proven piezo technology for extended life duration
- Easy to connect using a plug-in connection (150)
- LED permanent light with continuous tone that can be additionally activated (150)



Size comparison Installation / EvoSIGNAL Mini and Midi



150 LED Permanent Light / Buzzer Combination



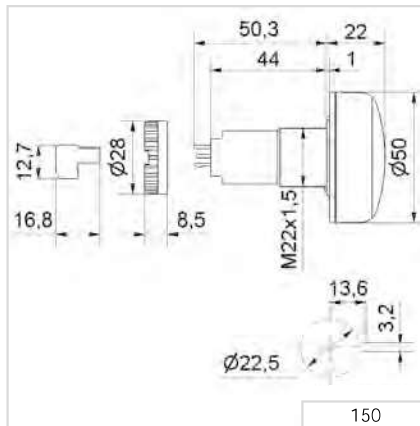
LED Permanent light with continuous tone that can be additionally activated



① TECHNICAL SPECIFICATIONS/ORDER SPECIFICATIONS:

Dimensions (Ø x Height):	50 mm x 22 mm (Protrusion from panel)		
Housing:	PC/ABS-Blend		
Lens:	PC, transparent		
Connection:	Connector plug with screw terminal max. 1,5 mm ²		
Tone type:	Continuous		
Tone frequency:	c, 2,8 kHz		
Duty cycle:	100 %		
Life duration:	Up to 50,000 hrs		
Fixing:	Installation mounting for Ø 22,5 mm (M22 x 1,5 mm) with anti-twist device		
Nut and seal included in assembly.			
Voltage:	24 V DC	115 V AC	230 V AC
Current consumption:	< 50 mA	< 20 mA	< 20 mA
red	150 100 55	150 100 67	150 100 68
yellow	150 300 55	150 300 67	150 300 68

↔ TECHNICAL DIAGRAM:



450 LED Permanent Light/Buzzer Combination with acknowledgement function



LED Permanent light with continuous tone that can be additionally activated



① TECHNICAL SPECIFICATIONS/ORDER SPECIFICATIONS:

Dimensions (Ø x Height):	50 mm x 22 mm (Protrusion from panel)	
Housing:	PC/ABS-Blend	
Lens:	PC, transparent	
Connection:	Screw terminal 1.5 mm ²	
Signal input:	24 V DC	
Acknowledgement output:	Semiconductor-Relay	$U_{max} = 30\text{ V}$ $I_{max} = 100\text{ mA}$ $R_{ON\ max} = 25\text{ Ohm}$
Tone type:	Continuous	
Tone frequency:	c. 2,8 kHz	
Duty cycle:	100 %	
Life duration:	Up to 50,000 hrs	
Fixing:	Installation mounting for Ø 22,5 mm (M22 x 1,5 mm)	
Nut and seal included in assembly.		
Voltage:	24 V DC	
Current consumption:	80 mA	
red	450 100 55	
yellow	450 300 55	

! ADDITIONAL INFORMATION:

1

The occurrence of a malfunction or an error is indicated by means of an optical-audible signal.

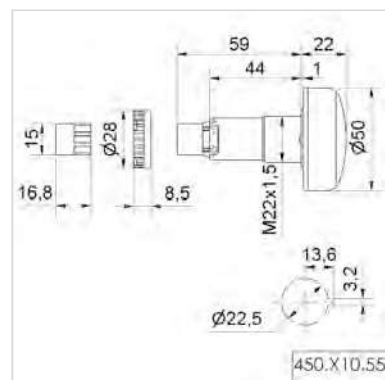
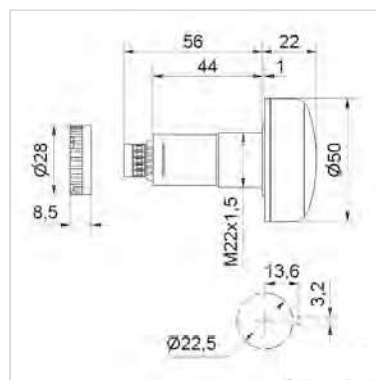
2

The audible signal can be turned off in seconds by lightly pressing the front of the product.

3

The acknowledgement signal is sent to the control unit via an electronic switch and the malfunction is now only indicated by the optical signal.

← TECHNICAL DIAGRAM:



The audible signal can be turned off in seconds by lightly pressing the front of the product

CE

UK
CA

c UL us

EAC

35 g

IP65

+50°C
-20°C

80 dB

PLC

450.X00.00

450.X10.55



240 LED Installation Beacon (MC55) with or without UL



TECHNICAL SPECIFICATIONS/ORDER SPECIFICATIONS:

Dimensions (Ø x Height):	55 mm x 46 mm (Protrusion from panel)			
Housing:	PC/ABS-Blend, black PC, black (version with UL)			
Lens:	PC, transparent			
Fixing:	Installation mounting M30			
Colour options:	Red, yellow, green, white, blue, violet, turquoise (Multicolour) Red, yellow, green (Tricolour)			
Light effects:	Permanent light, permanent and blinking light (1Hz) (240 130 50)			
Tone types and frequency:	Pulse tone, 3400 Hz			
Life duration LED:	Up to 50,000 hrs			
Life duration buzzer:	Up to 5,000 hrs			
Without UL	Voltage	Current consumption	Plug M12	Cable
Tricolour (RGY)	24 V DC	45 mA	240 240 55	240 230 55
Multicolour (RGB)	10-30 V DC	80 mA	240 140 50	240 130 50
Version with UL	Voltage	Current consumption	Plug M12	
Tricolour (RGY)	24 V DC	65 mA	240 440 55	-
Multicolour (RGB)	10-30 V DC	130 mA	240 340 50	-

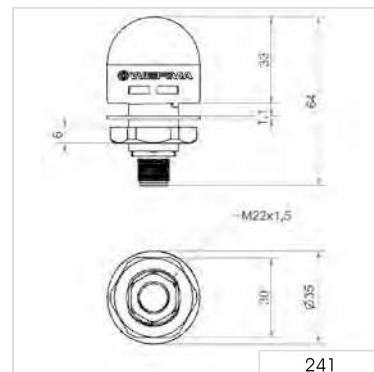
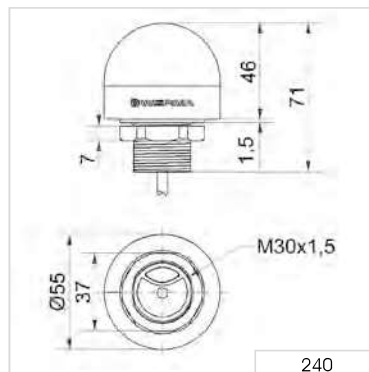
241 LED Installation Beacon (MC35) with UL



TECHNICAL SPECIFICATIONS/ORDER SPECIFICATIONS:

Dimensions (Ø x Height):	35 mm x 64 mm (Protrusion from panel)		
Housing:	PC, black		
Lens:	PC, transparent		
Fixing:	Installation mounting M22		
Colour options:	Red, yellow, green, white, blue, violet, turquoise (Multicolour) Red, yellow, green (Tricolour)		
Light effects:	Permanent light		
Tone types and frequency:	Continuous tone, 3600 Hz		
Life duration light:	Up to 50,000 hrs		
Life duration buzzer:	Up to 5,000 hrs		
Version with UL	Voltage	Current consumption	Plug M12
Tricolour (RGY)	24 V DC	45 mA	241 440 55
Multicolour (RGB)	10-30 V DC	45 mA	241 340 50

TECHNICAL DIAGRAM:



241

240.440.55

240.340.50 241

240.440.55

240.340.50

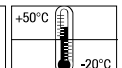
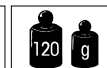
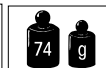
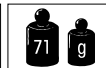
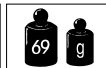
240.240.55

240.140.50

240.230.55

240.130.50

UL-Version



Evo*SIGNAL* - Combinations

Your benefits

The type of optical signals used depends on the application and environment. With Evo*SIGNAL*, finding the right signal device has never been so easy: Almost all areas of application are optimally covered by only two sizes (combinations) with specific mounting adapters. The new modular, simple and clear standard solution, Evo*SIGNAL* is one of a kind.

- Simple and easy to use: Number of different articles reduced to 20% whilst retaining a full range
- Twin functions: Twin*LIGHT* and Twin*FLASH* unite two light pattern functions in one element. They can be remote-controlled via connection terminals and also used as escalation levels
- Poka Yoke: Simple and intuitive installation - incorrect installation is impossible
- Mini and Midi also available as Tri*COLOUR* variants
- Maxi Twin*FLASH* can be used as an attention-grabbing alternative to xenon strobes and rotating mirror beacons

Typical applications

Signal faults and statuses on machines and equipment, in building services engineering and in door and gate applications. All products are ideal for demanding indoor and outdoor applications.

- Mini – in installation sites with limited space
- Midi – signalling over medium distances (10–30 m)

Installation options

- Base mounting
- M22/PG 29 single-hole mounting
- Tube mounting
- Bracket mounting

Features

- Push-in connection terminals: Simple and permanently secure connection
- Fully compatible: Easy replacement of previous products
- Best-in-class equipment: Powerful, extremely robust (IP66), tamper-proof

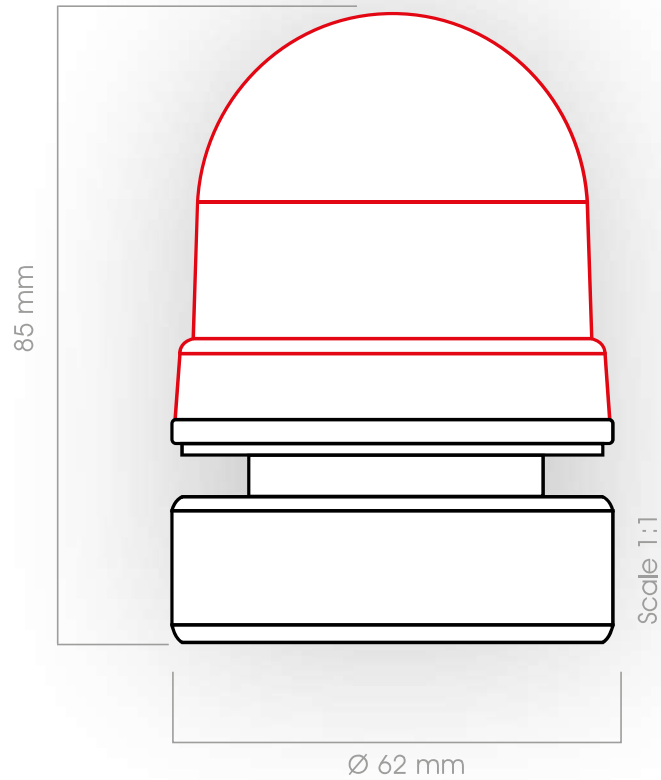


Mini

Midi



EvoSIGNAL Mini - Combinations



30
TwinLIGHT, TwinFLASH



6
Mounting adapter



Quick-Finder EvoSIGNAL Mini - Combinations



12 V AC/DC		24 V AC/DC		115-230 V AC	
TwinLIGHT	TwinFLASH	TwinLIGHT	TwinFLASH	TwinLIGHT	TwinFLASH
Order No.	Order No.	Order No.	Order No.	Order No.	Order No.
460 110 74	460 120 74	460 110 75	460 120 75	460 110 60	460 120 60
460 210 74	460 220 74	460 210 75	460 220 75	460 210 60	460 220 60
460 310 74	460 320 74	460 310 75	460 320 75	460 310 60	460 320 60
460 410 74	460 420 74	460 410 75	460 420 75	460 410 60	460 420 60
460 510 74	460 520 74	460 510 75	460 520 75	460 510 60	460 520 60

+ Mounting adapter (compulsory!)

Base mounting



Order no.
260 700 01

Installation mounting
M22



Order no.
260 700 03

Installation mounting
PG 29



Order no.
260 700 04

Tube mounting



Order no.
260 700 05

Bracket mounting
with cable gland

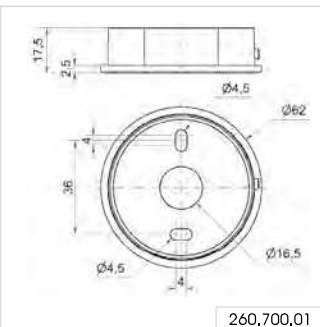


Order no.
260 700 06

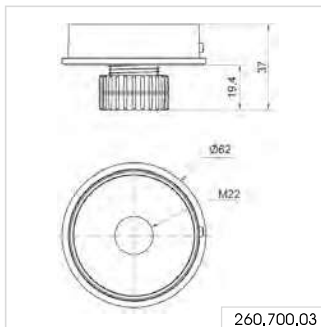
Bracket mounting



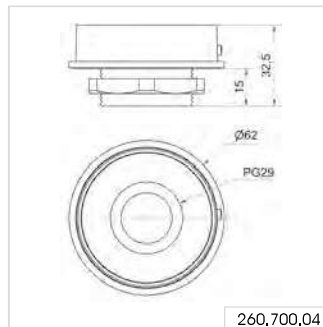
Order no.
260 700 07



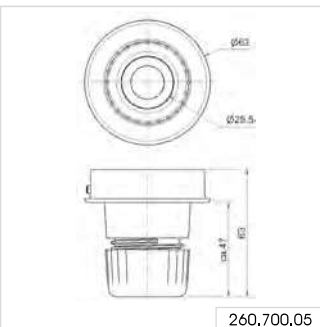
260,700,01



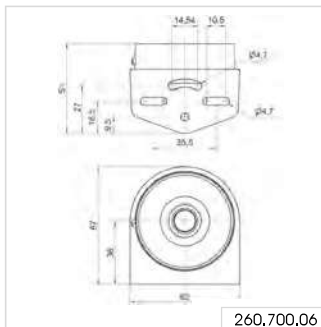
260,700,03



260,700,04



260,700,05



260,700,06



260,700,07



EvoSIGNAL Mini - Combinations



Installation mounting M 22



Tube mounting



Installation mounting PG 29

① TECHNICAL SPECIFICATIONS/ORDER SPECIFICATIONS:

Dimensions (Ø x Height):	62 x 85 mm
Housing:	PC/ABS
Lens:	PC, transparent
Connection:	Push-In terminal max. 1.5 mm ²
Cable entry:	Cable diameter 8-12 mm
Tone type:	Continuous or Pulse tone
Fixing:	Base/Tube/Wall/ Installation mounting
Flashing/Blinking frequency:	1Hz

TwinLIGHT

Voltage:	12 V AC/DC	24 V AC/DC	115-230 V AC
Current consumption:	≤ 120 mA	≤ 115 mA	≤ 75 mA
red	460 110 74	460 110 75	460 110 60
green	460 210 74	460 210 75	460 210 60
yellow	460 310 74	460 310 75	460 310 60
white	460 410 74	460 410 75	460 410 60
blue	460 510 74	460 510 75	460 510 60

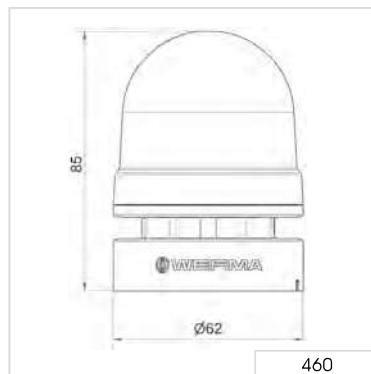
TwinFLASH

Voltage:	12 V AC/DC	24 V AC/DC	115-230 V AC
Current consumption:	≤ 100 mA	≤ 115 mA	≤ 75 mA
red	460 120 74	460 120 75	460 120 60
green	460 220 74	460 220 75	460 220 60
yellow	460 320 74	460 320 75	460 320 60
white	460 420 74	460 420 75	460 420 60
blue	460 520 74	460 520 75	460 520 60

✂ ACCESSORIES:

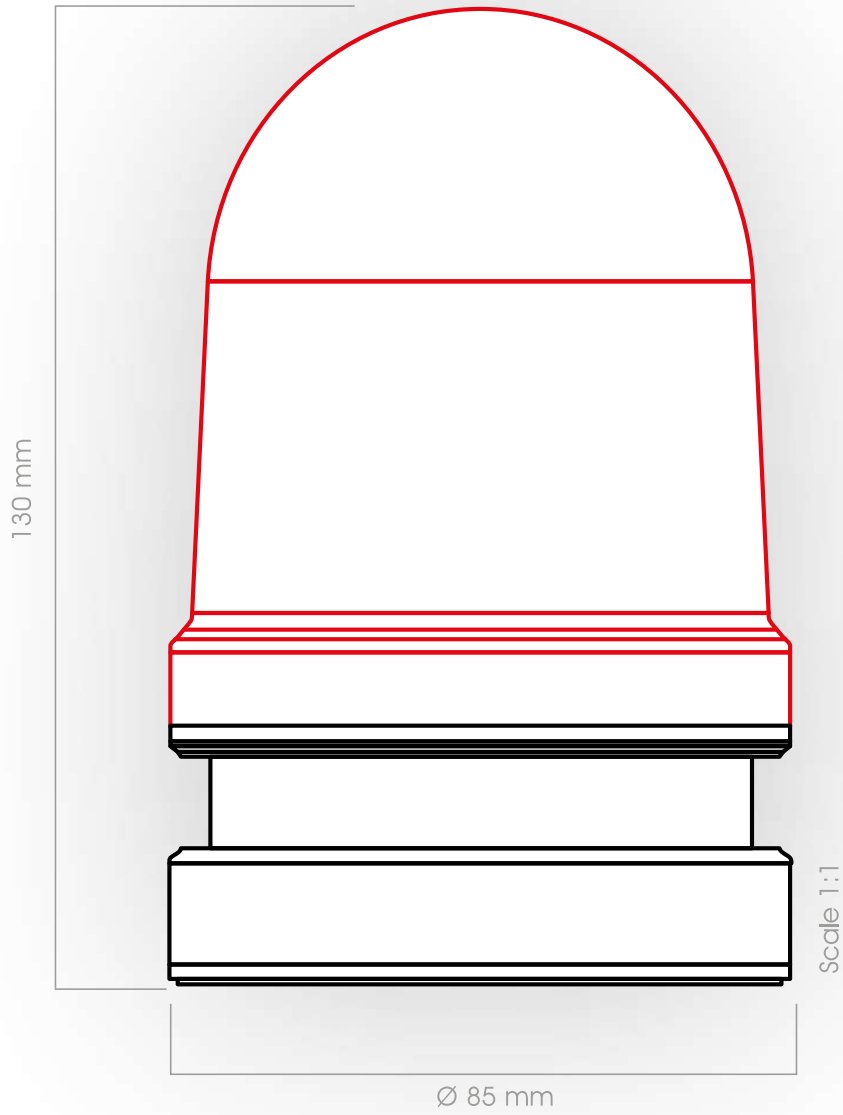
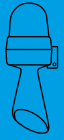
Base mounting	260 700 01
Installation mounting M22	260 700 03
Installation mounting PG 29	260 700 04
Tube mounting	260 700 05
Bracket mounting with cable gland	260 700 06
Bracket mounting	260 700 07

↔ TECHNICAL DIAGRAM:





EvoSIGNAL Midi - Combinations



20
TwinLIGHT, TwinFLASH



6
Mounting adapter

Quick-Finder EvoSIGNAL Midi - Combinations

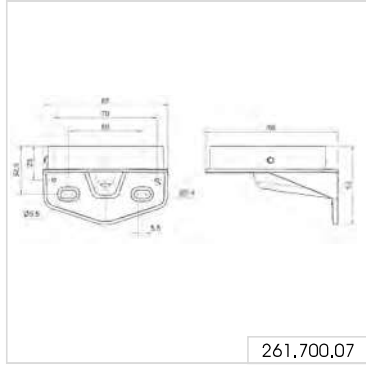
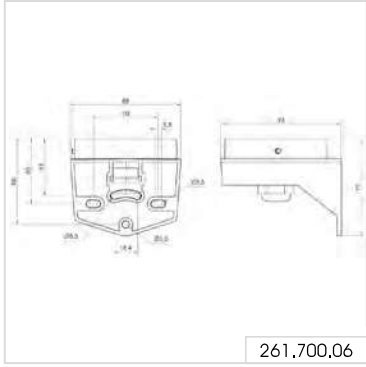
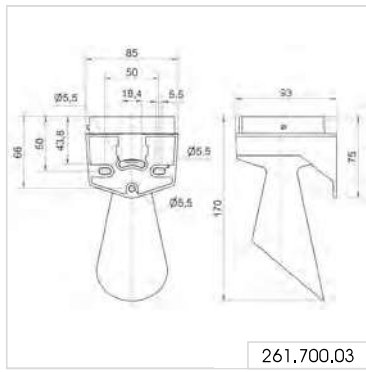
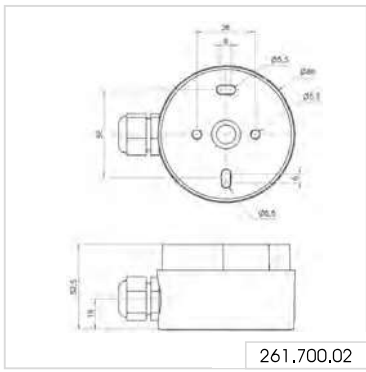
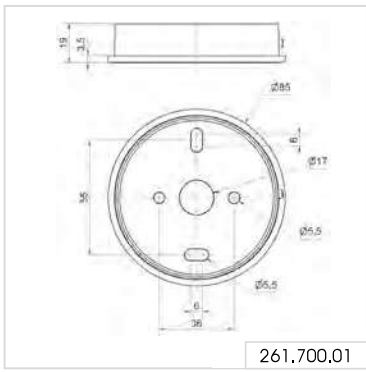


12/24 V AC/DC	
TwinLIGHT	TwinFLASH
Order No.	Order No.
461 110 70	461 120 70
461 210 70	461 220 70
461 310 70	461 320 70
461 410 70	461 420 70
461 510 70	461 520 70

115-230 V AC	
TwinLIGHT	TwinFLASH
Order No.	Order No.
461 110 60	461 120 60
461 210 60	461 220 60
461 310 60	461 320 60
461 410 60	461 420 60
461 510 60	461 520 60

+ Mounting adapter (compulsory!)

Base mounting	Base mounting with cable gland	Tube mounting	Bracket mounting with cable gland	Bracket mounting	Horn
Order no. 261 700 01	Order no. 261 700 02	Order no. 261 700 05	Order no. 261 700 06	Order no. 261 700 07	Order no. 261 700 03



EvoSIGNAL Midi - Combinations



Horn



Bracket mounting with cable gland



Tube mounting

① TECHNICAL SPECIFICATIONS/ORDER SPECIFICATIONS:

Dimensions (Ø x Height):	85 mm x 130 mm
Housing:	PC/ABS
Lens:	PC, transparent
Fixing:	Base/Tube/Wall mounting
Cable entry:	Cable diameter 8-12 mm
Connection:	Push-In terminal max, 1,5 mm ²
Tone type:	Multi-tone, 10 tones
Flashing/Blinking frequency:	1 Hz

TwinLIGHT

Voltage:	12/24 V AC/DC	115-230 V AC
Current consumption:	≤ 345 mA	≤ 170 mA
red	461 110 70	461 110 60
green	461 210 70	461 210 60
yellow	461 310 70	461 310 60
white	461 410 70	461 410 60
blue	461 510 70	461 510 60

TwinFLASH

Voltage:	12/24 V AC/DC	115-230 V AC
Current consumption:	≤ 110 mA	≤ 215 mA
red	461 120 70	461 120 60
green	461 220 70	461 220 60
yellow	461 320 70	461 320 60
white	461 420 70	461 420 60
blue	461 520 70	461 520 60

✖ ACCESSORIES:

Base mounting	261 700 01
Base mounting with cable gland	261 700 02
Tube mounting	261 700 05
Bracket mounting with cable gland	261 700 06
Bracket mounting	261 700 07
Horn	261 700 03

↔ TECHNICAL DIAGRAM:



				461 	261.700.01 		
261.700.02 	261.700.05 	261.700.06 	261.700.07 	261.700.03 			



Combination LED Beacon with Multi-Tone Sounder/Horn

Your benefits

The WERMA LED Beacon with a siren or horn provides safety and security by delivering reliable fault alarms over medium distances. The IP65 protection rating is suitable for outdoor applications.

- Multiple light configurations for different purposes and distances (some with partial external triggering)
- Simple installation
- Tamper-proof when installed
- Multiple visual and audible escalation levels possible
- Clear all-round visibility thanks to the OmniVIEW lens; no blind spots
- Multi-tone siren with up to 32 tones available for maximum flexibility

Typical applications

Fault signalling

- In areas with high ambient noise levels
- On machinery and equipment
- In building service systems (e.g. gas alarm)
- In the event of e.g. overload on mobile cranes and similar

Installation options

- Base mounting
- Wall mounting
- Tube mounting

Features

- Long life and energy-saving LEDs



Size comparison Midi / Design



430/432 LED Permanent Light/Multi-Tone Sounder Combination



LED Permanent Light in combination with Multi-Tone Sounder



Quick and simple wall mounting without additional accessories thanks to integrated mounting bracket (432)



Mounting holes integrated into the product rim allow easy mounting without having to remove the lens (430)

① TECHNICAL SPECIFICATIONS/ORDER SPECIFICATIONS:

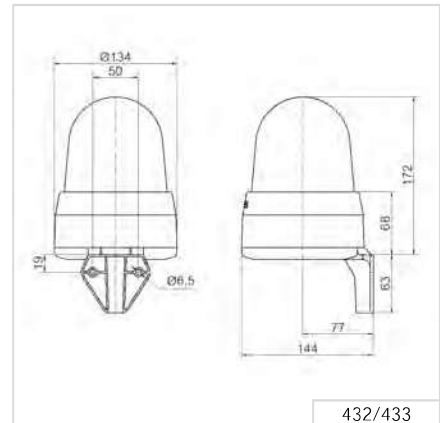
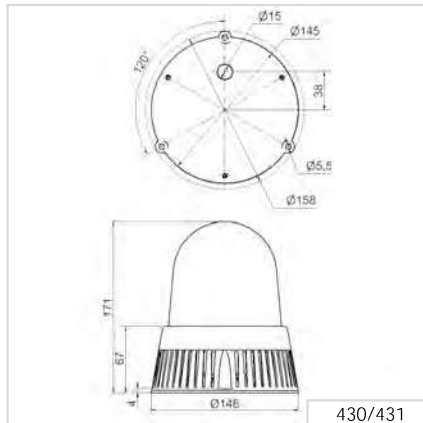
	Base mounting (430)	Wall mounting (432)
Dimensions (Ø x Height):	146 mm x 171 mm	134 mm x 235 mm
Housing:	PC/ABS-Blend, black	PC/ABS-Blend, grey
Lens:	PC, transparent	
Connection:	Screw terminal 0.5-1.5 mm ²	
Cable entry:	Cable diameter max. 13 mm	
Tone type and frequency:	32 tones adjustable, see table on page 210	
Life duration:	Up to 50,000 hrs (LED), up to 5,000 hrs (Multi-tone Sounder)	
Installation position:	Sound outlet facing downwards	
Fixing:	Base mounting (430), Wall mounting (432) Tube mounting (accessory, only for 430)	
Voltage:	24 V AC/DC	115-230 V AC*
Current consumption MTS:	190 mA	55 mA
Current consumption LED:	350 mA 230 mA (red)	100 mA 80 mA (red)
Base mounting		
red	430 100 75	430 100 60
yellow	430 300 75	430 300 60
Wall mounting		
red	432 100 75	432 100 60
yellow	432 300 75	432 300 60

*Current consumption at 115 V

✂ ACCESSORIES:

Adaptor for tube mounting, plastic, for tube Ø 25 mm	975 430 01
--	-------------------

↔ TECHNICAL DIAGRAMS:



431/433 LED Permanent / Flashing / EVS / Multi-Tone Sounder Combination



Multi-functional LED beacon:
3 light effects can be externally triggered



The adaptor enables mounting on a tube (431)

① TECHNICAL SPECIFICATIONS/ORDER SPECIFICATIONS:

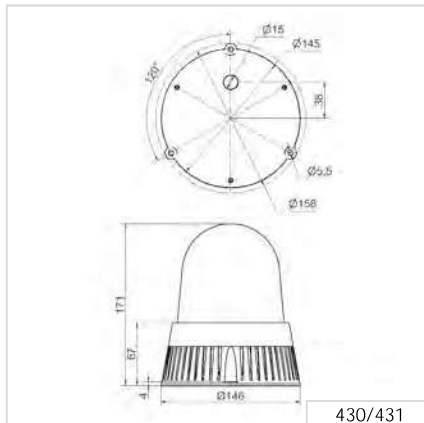
	Base mounting (431)	Wall mounting (433)
Dimensions (Ø x Height):	146 mm x 171 mm	134 mm x 235 mm
Housing:	PCABS-Blend, black	PC/ABS-Blend, grey
Lens:	PC, transparent	
Connection:	Screw terminal 0,5-1,5 mm ²	
Cable entry:	Cable diameter max. 13 mm	
Tone type and frequency:	32 tones adjustable, see table on page 210	
Installation position:	Sound outlet facing downwards	
Life duration:	Up to 50,000 hrs (LED), up to 5,000 hrs (Multi-tone Sounder)	
Fixing:	Base mounting (431), Wall mounting (433) Tube mounting (accessory, only for 431)	
Voltage:	24 V AC/DC	115-230 V AC*
Current consumption MTS:	190 mA	55 mA
Current consumption LED:	350 mA 230 mA (red)	100 mA 80 mA (red)
Base mounting		
red	431 100 75	431 100 60
yellow	431 300 75	431 300 60
Wall mounting		
red	433 100 75	433 100 60
yellow	433 300 75	433 300 60

*Current consumption at 115 V

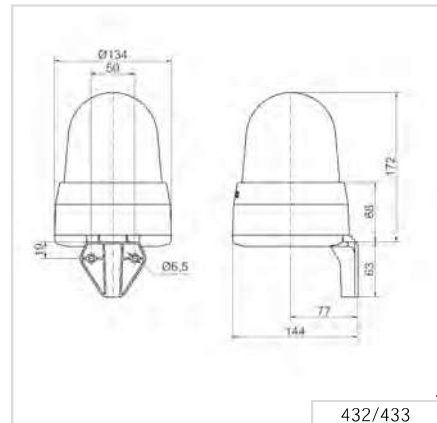
✂ ACCESSORIES:

Adaptor for tube mounting, plastic, for tube Ø 25 mm **975 430 01**

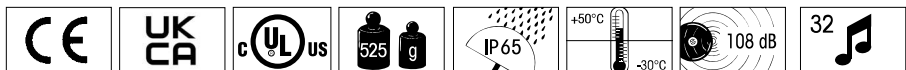
← TECHNICAL DIAGRAMS:



430/431



432/433



43 x Tone table for Multi-Tone Sounder

The Multi-Tone Sounder Combinations 43x offer a large choice of internationally recognised signal tones for the widest range of applications. The tone types and frequencies can be found in the table below:

🎵 TONE TYPES AND FREQUENCIES:						
Tone 1	Tone type	Frequency (Hz)	Description	Use	Tone 2	Sound output (dba)
1	continuous	200		BS 5839-1:2002	440 Hz cont.	97
2	rising	800 & 970	7 Hz		14	102
3	rising	800 & 970	1 Hz		14	103
4	continuous	2850			14	104
5	rising	2400 - 2850	7 Hz		4	109
6	rising	2400 - 2850	1 Hz		4	110
7	rising	500 - 1200	3 s, then 0.5 s OFF (then repeat)		14	106
8	falling	1200 - 500	1 Hz	DIN 33404-3	14	104
9	alternating	2400 & 2850	2 Hz		4	111
10	pulse	970	0.5 Hz (1 s On/1 s Off)	BS 5839 Part 1 1988	14	101
11	alternating	800 & 970	1 Hz	BS 5839 Part 1 1988	14	105
12	pulse	2850	0.5 Hz		4	104
13	pulse	970		0,25 s On/1 s Off	14	98
14	continuous	970		BS 5839-1:2002 PFEER - Toxic gas	10	102
15	alternating	554 & 440		France NFS	14	101
16	pulse	660	150 ms On/150 ms Off	Swedish	16	96
17	pulse	660	1.8 s On/1.8 s Off	Swedish	17	98
18	pulse	660	6.5 s On/13 s Off	Swedish	18	98
19	continuous	660		Swedish	19	98
20	alternating	554 & 440	0.5 Hz		20	102
21	pulse	660	1 Hz	Swedish	21	97
22	pulse	2850	150 ms On/100 ms Off	GB	14	104
23	rising	800 - 970	50 Hz (low)	BS 5839 Part 1 1988	14	102
24	rising	2400 - 2850	50 Hz (high)		4	109
25	pulse	970	3 x 500 ms ON/500 ms OFF / 1.5 s silence, then repeat (low)	ISO 8201 US Temporal	26	101
26	pulse	2850	3 x 500 ms ON/500 ms OFF / 1.5 s silence, then repeat (high)	ISO 8201 US Temporal	25	104
27	continuous	4000			27	92
28	rising	2000 - 2850	7 Hz		2000 Hz cont.	111
29	alternating	988 & 645	2 Hz		988 Hz cont.	102
30	alternating	510 & 610	2 Hz		510 Hz cont.	102
31	alternating	800 & 970	2 Hz	5839-1:2002	800 Hz cont.	105
32	alternating	800 & 1200	1 Hz		800 Hz cont.	105



434 LED Permanent Light / Horn Combination



Award winning design Winner of the iF product design award 2012



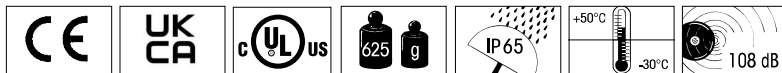
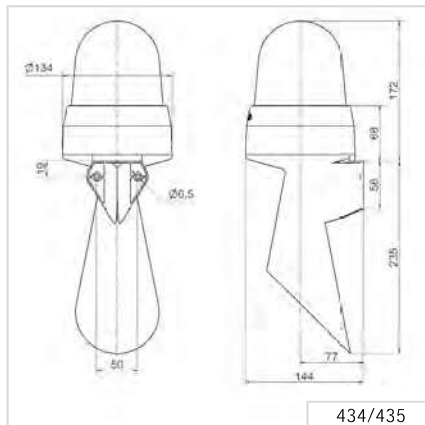
Quick and simple wall mounting without additional accessories thanks to integrated mounting bracket

① TECHNICAL SPECIFICATIONS/ORDER SPECIFICATIONS:

Dimensions (L x H x W):	134 mm x 407 mm x 144 mm	
Housing:	PC/ABS-Blend, grey	
Lens:	PC, transparent	
Connection:	Screw terminal 0.5-1.5 mm ²	
Cable entry:	Cable diameter max. 13 mm	
Tone frequency:	c. 110 Hz	
Life duration:	Up to 50,000 hrs (LED), up to 5,000 hrs (Horn)	
Fixing:	Wall mounting, integrated mounting bracket	
Installation position:	Sound outlet facing downwards	
Voltage:	24 V AC/DC	115-230 V AC*
Current consumption MTS:	55 mA	30 mA
Current consumption LED:	350 mA	100 mA
	230 mA (red)	80 mA (red)
red	434 100 75	434 100 60
yellow	434 300 75	434 300 60

*Current consumption at 115 V

← TECHNICAL DIAGRAMS:



435 LED Permanent/Flashing/EVS/Horn Combination



Multi-functional LED beacon:
3 light effects can be triggered
externally



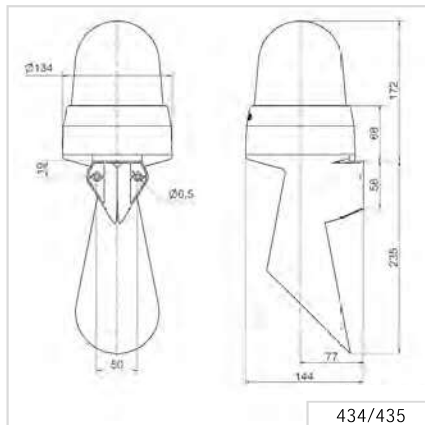
The "EVS" light effect ensures a
maximum attention-grabbing
effect

① TECHNICAL SPECIFICATIONS/ORDER SPECIFICATIONS:

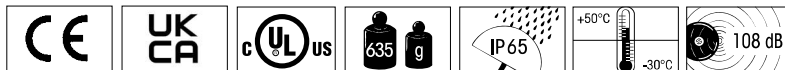
Dimensions (L x H x W):	134 mm x 407 mm x 144 mm	
Housing:	PC/ABS-Blend, grey	
Lens:	PC, transparent	
Connection:	Screw terminal 0.5-1.5 mm ²	
Cable entry:	Cable diameter max. 13 mm	
Tone frequency:	c. 110 Hz	
Life duration:	Up to 50,000 hrs (LED), up to 5,000 hrs (Horn)	
Fixing:	Wall mounting, integrated mounting bracket	
Installation position:	Sound outlet facing downwards	
Voltage:	24 V AC/DC	115-230 V AC*
Current consumption MTS:	55 mA	30 mA
Current consumption LED:	350 mA 220 mA (red)	100 mA 80 mA (red)
red	435 100 75	435 100 60
yellow	435 300 75	435 300 60

*Current consumption at 115 V

← TECHNICAL DIAGRAMS:



434/435



Design Combination LED Multi-Tone Sirens

Your benefits

The Design Combination LED Multi-Tone Sirens provide safety and security in environments with heightened aesthetic design requirements. The innovative housing design makes for simple mounting in many diverse applications.

- Ideal signalling effect over great distances
- Multiple visual and audible escalation levels possible
- Many application options with up to 32 tones available
- Up to 3 tones controlled remotely for the escalation of signals
- Includes standardised tones (including those used in fire alarms)

Typical applications

Fault signalling

- In building service systems
- On machinery and equipment

Installation options

- Wall mounting
- Base mounting
- Ceiling mounting

Features

- Multi-voltage versions allow multiple applications with a single device
- Long life and energy-saving LEDs, either as a flashing light or EVS



Size comparison Design / Heavy Duty



444 LED Double Flash/Multi-Tone Sounder Combination



Base mounting



Wall mounting

① TECHNICAL SPECIFICATIONS/ORDER SPECIFICATIONS:

Dimensions (L x H x W):	109 mm x 112 mm x 150 mm		
Housing:	PC/ABS-Blend		
Lens:	PC, transparent		
Connection:	24 V: Screw terminal 0,5-1,5 mm ² 115/230 V: CAGE CLAMP®		
Cable entry:	Membrane for cable diameter max. 13 mm		
Life duration:	Up to 50,000 hrs (LED Double Flash)		
Flash frequency:	c. 1 Hz		
Fixing:	Wall, base and ceiling mounting		
Voltage:	24 V AC/DC	115 V AC	230 V AC
Current consumption Optical:	60 mA	30 mA	30 mA
Current consumption Audible:	200 mA	55 mA	30 mA
red	444 100 75	444 100 67	444 100 68
yellow	444 300 75	444 300 67	444 300 68

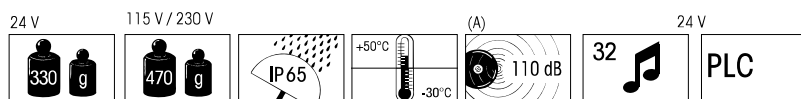
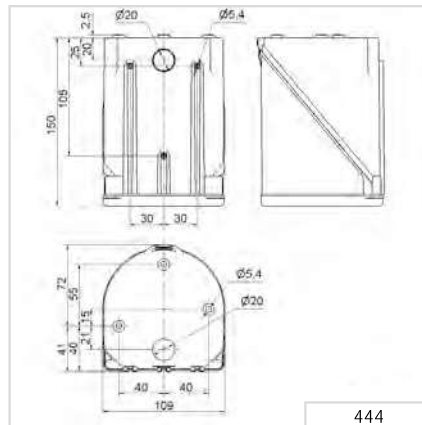
✂ ACCESSORIES:

Cable gland M20 x 1,5 mm (for cable strain relief)	975 444 01
Protection rating IP 65 is guaranteed even without cable gland	

🎵 TONE TYPES AND FREQUENCIES:

Selectable via DIP switch, see tone table on page 230, 3 tones can be externally triggered

↩ TECHNICAL DIAGRAMS:



444 LED EVS / Multi-Tone Sounder Combination



Base mounting



The „EVS“ light effect ensures a maximum attention-grabbing effect

① TECHNICAL SPECIFICATIONS/ORDER SPECIFICATIONS:

Dimensions (L x H x W):	109 mm x 112 mm x 150 mm		
Housing:	PC/ABS-Blend		
Lens:	PC, transparent		
Connection:	24 V: Screw terminal 0,5-1,5 mm ² 115/230 V: CAGE CLAMP®		
Cable entry:	Membrane for cable diameter max. 13 mm		
Fixing:	Wall, base and ceiling mounting		
Life duration:	Up to 50,000 hrs (LED EVS)		
Voltage:	24 V AC/DC	115 V AC	230 V AC
Current consumption Optical:	60 mA	30 mA	30 mA
Current consumption Audible:	220 mA	55 mA	30 mA
red	444 110 75	444 110 67	444 110 68
yellow	444 310 75	444 310 67	444 310 68

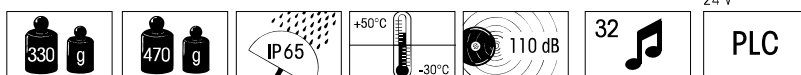
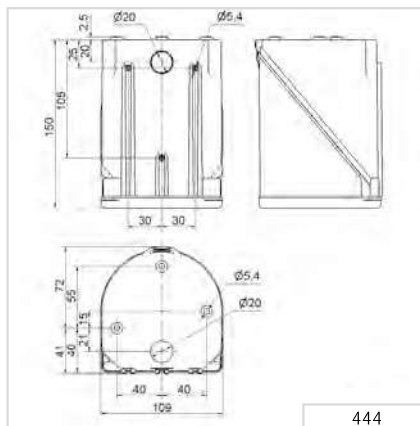
✂ ACCESSORIES:

Cable gland M20 x 1,5 mm (for cable strain relief)	975 444 01
Protection rating IP 65 is guaranteed even without cable gland	

🎵 TONE TYPES AND FREQUENCIES:

Selectable via DIP switch, see tone table on page 216, 3 tones can be externally triggered

↔ TECHNICAL DIAGRAMS:



444 Combination

The 444 Combinations offer a large choice of internationally recognised signal tones for the widest spectrum of applications. 3 tones can be triggered externally.

STONE TYPES AND FREQUENCIES:

Tone 1	Tone type	Frequency (Hz)	Description	Use	Tone 2	Sound output (dbA)
1	continuous	200		BS 5839-1:2002	440 Hz cont.	97
2	rising	800 & 970	7 Hz		14	102
3	rising	800 & 970	1 Hz		14	103
4	continuous	2850			14	104
5	rising	2400 - 2850	7 Hz		4	109
6	rising	2400 - 2850	1 Hz		4	110
7	rising	500 - 1200	3 s, then 0,5 s OFF (then repeat)		14	106
8	falling	1200 - 500	1 Hz	DIN 33404-3	14	104
9	alternating	2400 & 2850	2 Hz		4	111
10	pulse	970	0,5 Hz (1 s On/1 s Off)	BS 5839 Part 1 1988	14	101
11	alternating	800 & 970	1 Hz	BS 5839 Part 1 1988	14	105
12	pulse	2850	0,5 Hz		4	104
13	pulse	970		0,25 s On/1 s Off	14	98
14	continuous	970		BS 5839-1:2002 PFEER - Toxic gas	10	102
15	alternating	554 & 440		France NFS	14	101
16	pulse	660	150 ms On/150 ms Off	Swedish	16	96
17	pulse	660	1,8 s On/1,8 s Off	Swedish	17	98
18	pulse	660	6,5 s On/13 s Off	Swedish	18	98
19	continuous	660		Swedish	19	98
20	alternating	554 & 440	0,5 Hz		20	102
21	pulse	660	1 Hz	Swedish	21	97
22	pulse	2850	150 ms On/100 ms Off	GB	14	104
23	rising	800 - 970	50 Hz (low)	BS 5839 Part 1 1988	14	102
24	rising	2400 - 2850	50 Hz (high)		4	109
25	pulse	970	3 x 500 ms ON/500 ms OFF / 1,5 s silence, then repeat (low)	ISO 8201 US Temporal	26	101
26	pulse	2850	3 x 500 ms ON/500 ms OFF / 1,5 s silence, then repeat (high)	ISO 8201 US Temporal	25	104
27	continuous	4000			27	92
28	rising	2000 - 2850	7 Hz		2000 Hz cont.	111
29	alternating	988 & 645	2 Hz		988 Hz cont.	102
30	alternating	510 & 610	2 Hz		510 Hz cont.	102
31	alternating	800 & 970	2 Hz	5839-1:2002	800 cont.	105
32	alternating	800 & 1200	1 Hz		800 cont.	105



Heavy Duty Combination – Multi-Tone Siren with Xenon Flash

Your benefits

The WERMA Heavy Duty Combination - Multi-Tone Siren with Xenon Flash features a very robust housing. The combination device provides safety and security through reliable, loud signalling in particularly harsh environments. Up to 120 dB for use in extremely noisy environments and signalling over long distances.

- Multiple visual and audible escalation levels possible
- Includes standardised tones (including those used in fire alarms)
- Up to 42 tones for signalling various statuses

Typical applications

Signalling of faults or alarms

- Outdoors in extreme conditions
- In larger industrial plants
- As an evacuation alarm

Installation options

- Wall mounting

Features

- High protection rating IP66
- Multi-voltage versions available



Size comparison Heavy Duty / Design



439 Xenon Flash / Multi-Tone Sounder Combination (105 dB)



① TECHNICAL SPECIFICATIONS/ORDER SPECIFICATIONS:

Dimensions (L x H x W):	136 mm x 138 mm x 119 mm	
Housing:	ABS	
Connection:	Screw terminal 0,28-2,5 mm ²	
Cable entry:	Cable gland M20 x 1,5 mm (not included in assembly)	
Flash frequency:	1 Hz	
Flash energy	1,6 Ws	
Tone type and frequency:	Selectable via DIP switch, 2 tones can be externally triggered	
Voltage:	9-60 V DC	110-230 V AC
Current consumption:	230 mA (24 V)	30 mA (230 V)
Housing/Flash		
red / red	439 010 55	439 010 68
red / yellow	439 030 55	439 030 68
grey / red	439 110 55	439 110 68
grey / yellow	439 130 55	439 130 68

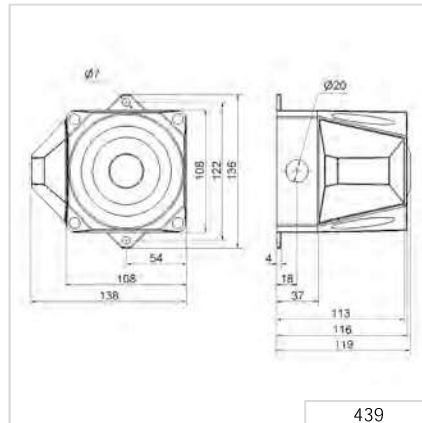
✂ ACCESSORIES:

Cable gland M20 x 1,5 mm (for cable strain relief)	975 444 01
Protection rating IP 65 is guaranteed even without cable gland	

🎵 TONE TYPES AND FREQUENCIES:

For further details see www.werma.com.

↔ TECHNICAL DIAGRAMS:



441 Xenon Flash / Multi-Tone Sounder Combination (110 dB)



① TECHNICAL SPECIFICATIONS/ORDER SPECIFICATIONS:

Dimensions (L x H x W):	165 mm x 169 mm x 132 mm	
Housing:	PC/ABS-Blend	
Connection:	Screw terminal 0.28-2.5 mm ²	
Cable entry:	Cable gland M20 x 1,5 mm (not included in assembly)	
Flash frequency:	1 Hz	
Flash energy	2,5 Ws	
Tone type and frequency:	Selectable via DIP switch, 2 tones can be externally triggered	
Voltage:	9-60 V DC	230 V AC
Current consumption:	230 mA	35 mA
Housing/Flash		
red / red	441 010 55	441 010 68
red / yellow	441 030 55	441 030 68
grey / red	441 110 55	441 110 68
grey / yellow	441 130 55	441 130 68

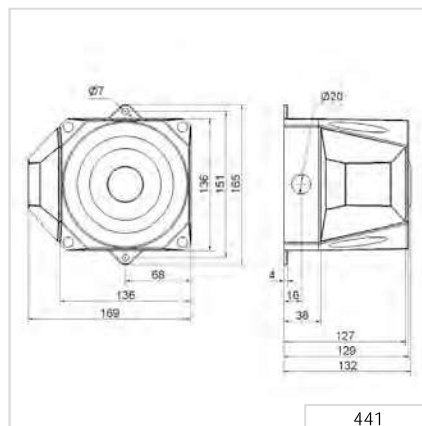
✂ ACCESSORIES:

Cable gland M20 x 1,5 mm (for cable strain relief)	975 444 01
Protection rating IP 65 is guaranteed even without cable gland	

🎵 TONE TYPES AND FREQUENCIES:

For further details see www.werma.com.

↔ TECHNICAL DIAGRAMS:



442 Xenon Flash / Multi-Tone Sounder Combination (120 dB)



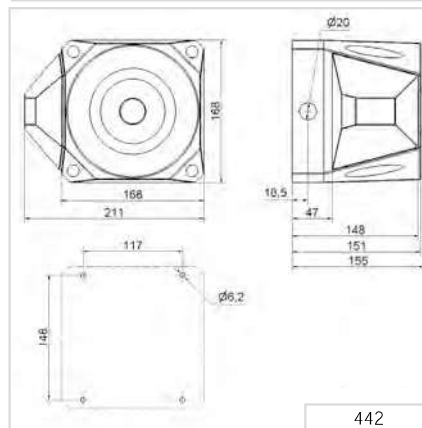
① TECHNICAL SPECIFICATIONS/ORDER SPECIFICATIONS:

Dimensions (L x H x W):	168 mm x 211 mm x 155 mm		
Housing:	PC/ABS-Blend		
Connection:	Screw terminal 0.28-2.5 mm ²		
Cable entry:	Cable gland M20 x 1,5 mm (not included in assembly)		
Tone type and frequency:	Selectable via DIP switch, 3 tones externally triggered see table on page 221		
Voltage:	18-30 V DC	115/230 V AC	
Current cons. Multi Tone Sounder:	450 mA	130/65 mA	
Current consumption Flash:	127-389 mA (dependent on voltage and flash frequency)	- /15 mA (dependent on voltage and flash frequency)	
Flash frequency	0,75 Hz/1 Hz	1,25 Hz/2 Hz	1 Hz (Flash can only be operated with 230 V)
Flash energy	3,5 Ws	2 Ws	2 Ws
Housing/Flash			
red / red	442 010 55	442 010 68	
red / yellow	442 030 55	442 030 68	
grey / red	442 110 55	442 110 68	
grey / yellow	442 130 55	442 130 68	

✂ ACCESSORIES:

Cable gland M20 x 1,5 mm (for cable strain relief)	975 444 01
Protection rating IP 65 is guaranteed even without cable gland	

↔ TECHNICAL DIAGRAMS:



442 XX0 55 442 XX0 68

