



Our *passion* is enclosures.



Everything revolves around
design and technology.

Welcome to the world of profiPLUS.



profiPLUS

The designer suspension system.

profiPLUS 50 & 70

The designer suspension system



Our *passion* is enclosures.



Industrial design reinterpreted.

When designing the pivoting elements of our new profiPLUS support system we simply took the round, rotating earth as a template and realised a stable, diverse and aesthetically pleasing joint as the centre point. A complete suspension arm system with numerous intelligent components was developed around this round centre point. Naturally with adaptation options for products from leading manufacturers.

Support systems for enclosures and devices are always in view. Their appearance should harmonise with the design of modern machines. The technology must enable time-saving assembly with internal cable routing. And act against the gravitational forces of the earth through straightforward, simple height adjustment - with profiPLUS 50 & 70 this was realised through a patented ROLEC solution.

Furthermore, the system also offers numerous additional equipment options, such as comprehensive earth bonding and practical rotational limiting.

profiPLUS 50 & 70

Examples of the system configuration



Our passion is enclosures.



Thanks to its system diversity, profiPLUS offers a whole host of combination options for individual suspension arm configurations. The example variants presented here serve as orientation aids and demonstrate the diversity of the system.

ROLEC's system professionals will be happy to advise you on the configuration of a suspension arm tailored specifically to your requirements.

- 2 - Coupling incl. support profile, length is variable
- 3 - Coupling N incl. support profile, length is variable
- 8 - Elbow coupling

- 13 - Wall joint
- 14 - Socket joint
- 15 - Intermediate joint
- 16 - Elbow
- 17 - Base

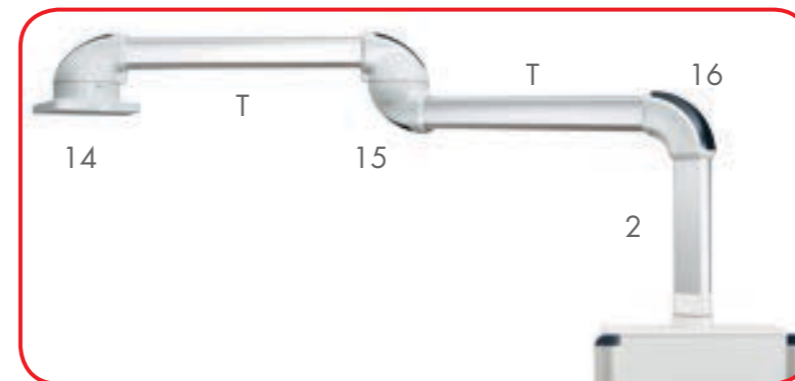
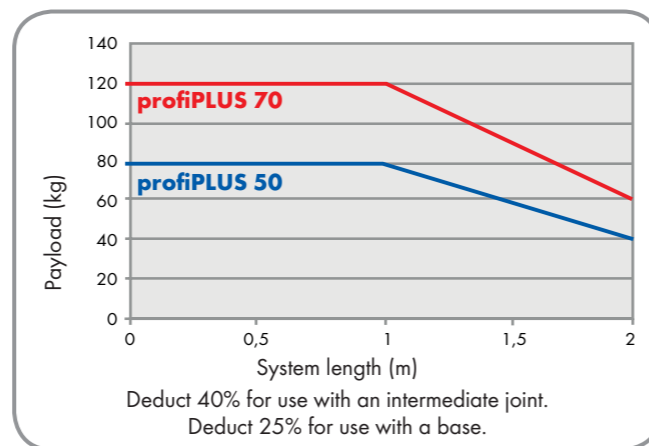
- T - Support profile, length is variable

(You will find these numbers also on pages 12-19 and 22-29)

Large or larger?

profiPLUS 50 is already an impressive sight. With extensive space for routing cables such as HDM, DVI or network connectors. profiPLUS 70 offers even more room for further control lines. At the same time, the system's bearing strength naturally increases significantly.

On request, the profiPLUS profiles are also available in anodised special colours or powder-coated, in order to achieve even greater harmony with modern machinery.



profiPLUS 50 & 70

System components



Our *passion* is enclosures.



Patented solution(s) for rapid set-up and maximum use.

Put yourself in the position of the individual required to work with it: When developing profiPLUS, ROLEC simply sat itself in the customer's seat and thought about what was important. In addition to the aesthetics, also essential are rapid assembly and the fact that it is possible to integrate

existing systems. For this reason, the ROLEC designers invented »single screw adjustment« and also designed adapters suitable for connecting panels from leading manufacturers such as Siemens, Beckhoff and CRE Rösler.



All couplings available as standard with a fitted support profile.



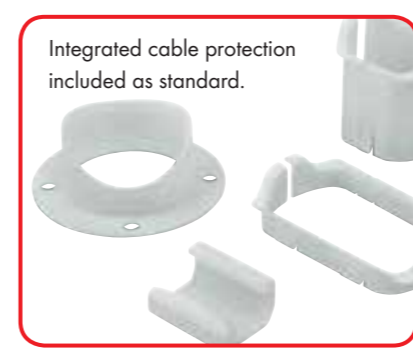
Set screw system for setting any arbitrary pivot range.



Optional adapters for signal lights, e.g. from Werma (lights not included).



Integrated earth bonding for protecting both man and machine.



Integrated cable protection included as standard.



Reducer adapters from profiPLUS 70 to 50 for connecting smaller enclosure couplings.

profiPLUS 50 & 70

Connection/compatibility with control enclosures



Our passion is enclosures.



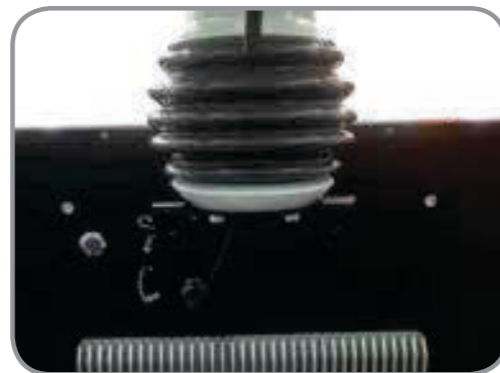
ROLEC control enclosure



SIEMENS Pro panels



BECKHOFF IPCs



CRE RÖSLER panels

profiPLUS 50 System components

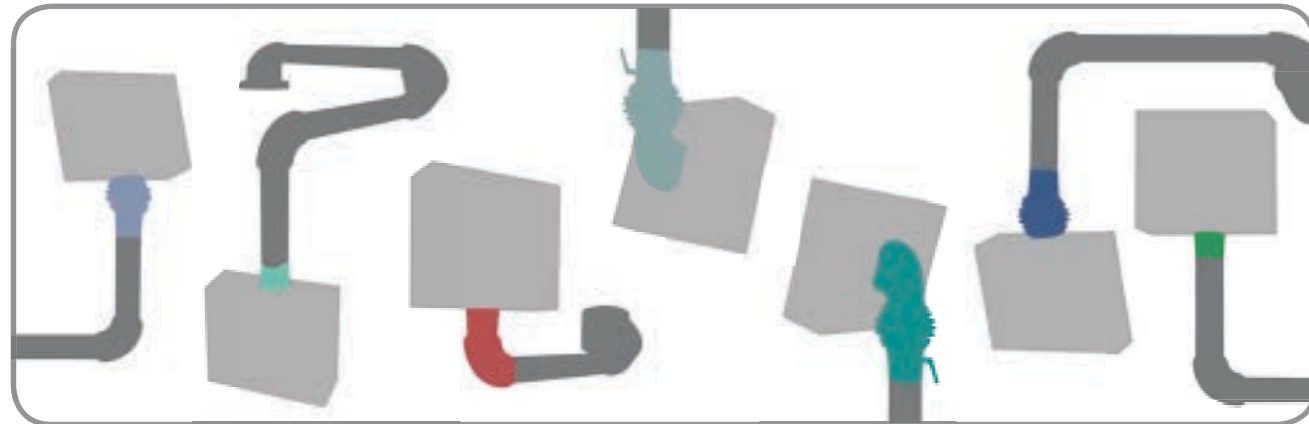


profiPLUS 50

System components



Our passion is enclosures.

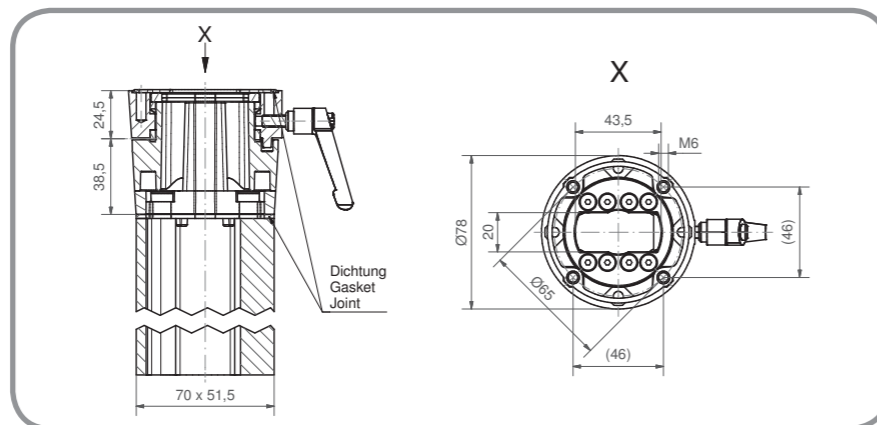


coupling



Figure 1

Upright

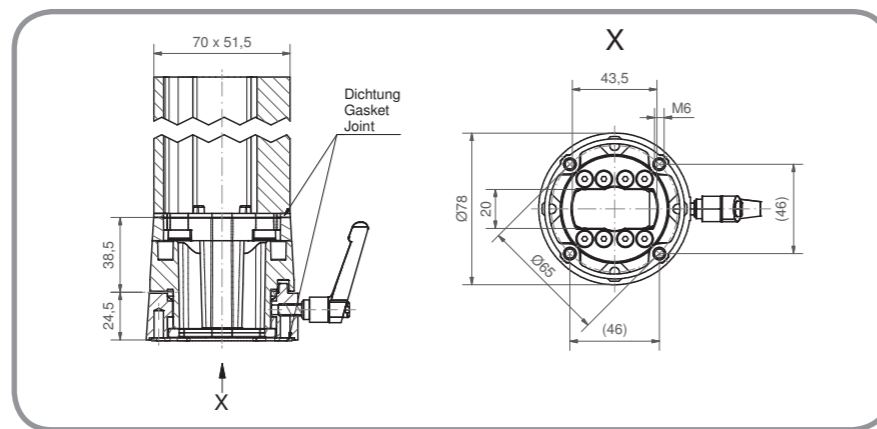


coupling



Figure 2

Hanging

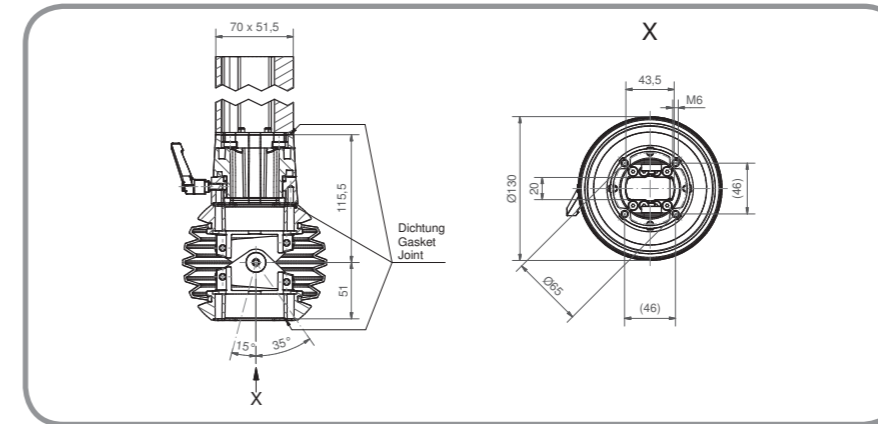
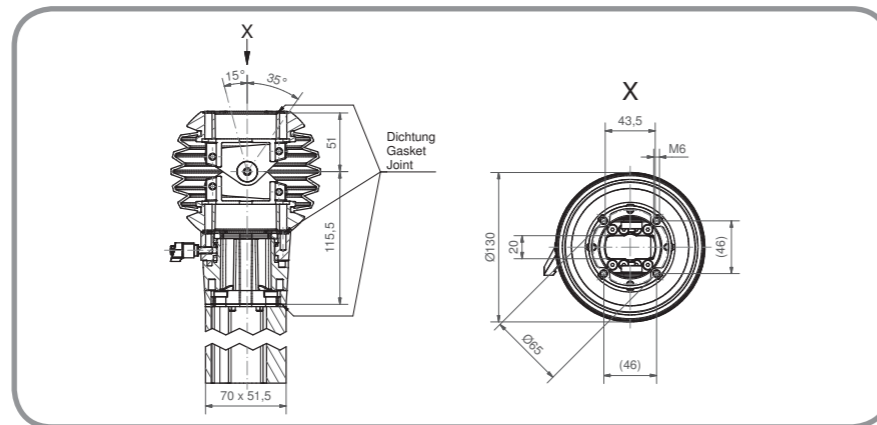


Coupling N



Figure 3

Upright

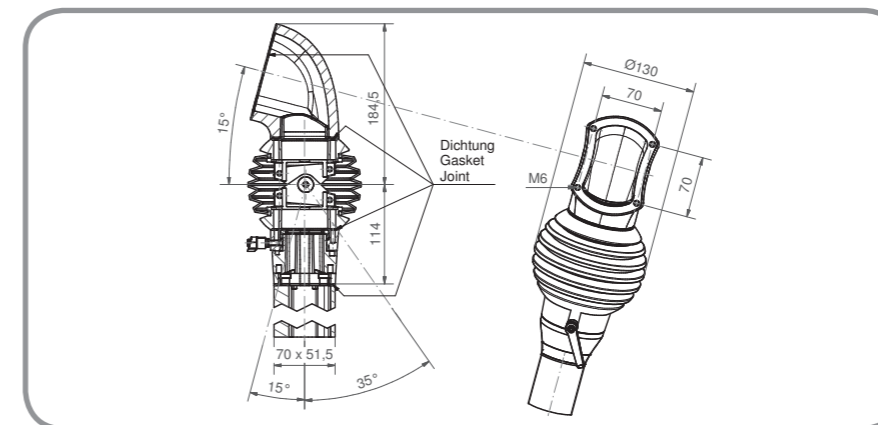


Coupling N



Figure 4

Hanging

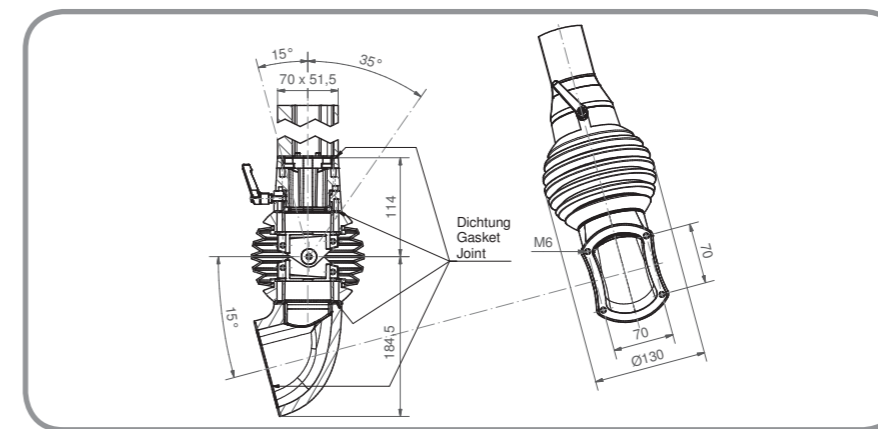


Desk coupling N



Figure 5

Upright

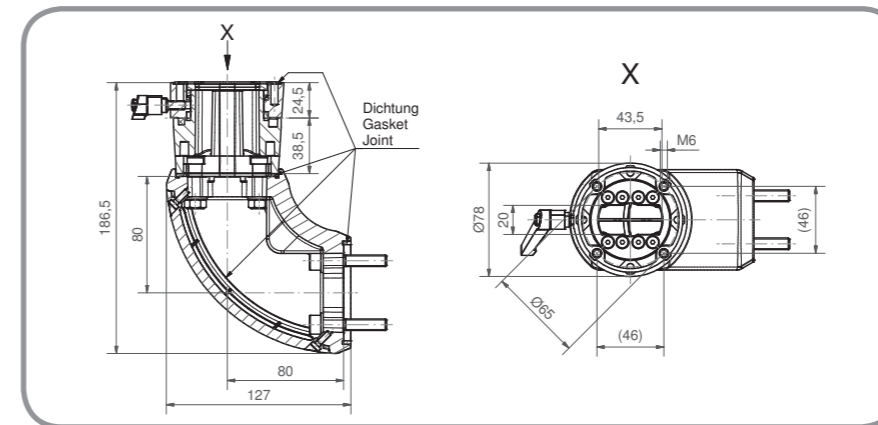


Desk coupling N



Figure 6

Hanging

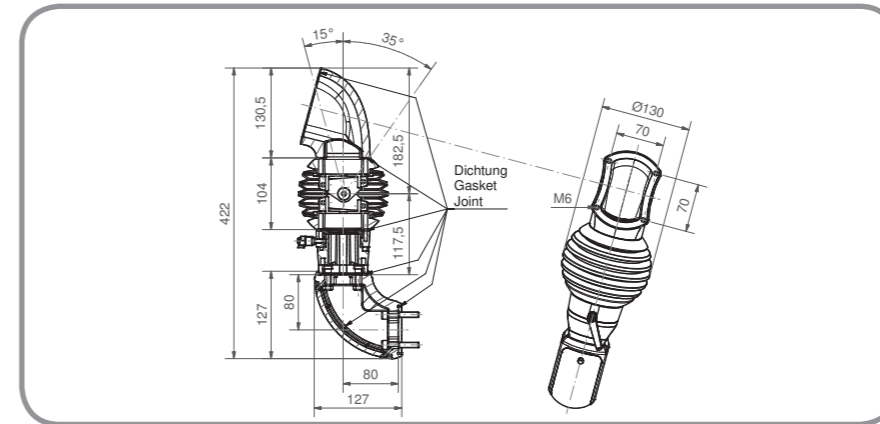
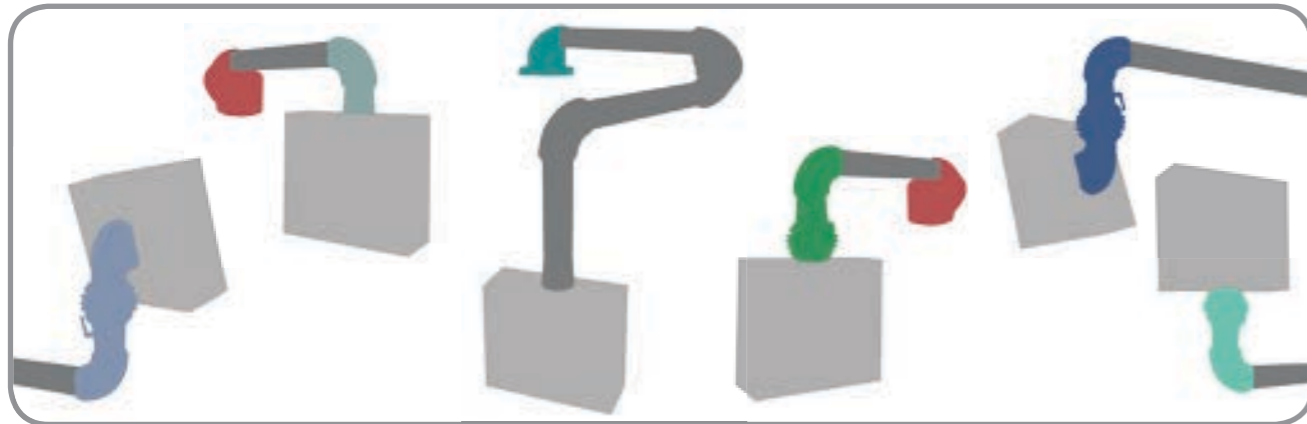


Elbow coupling



Figure 7

Upright



Elbow desk coupling N

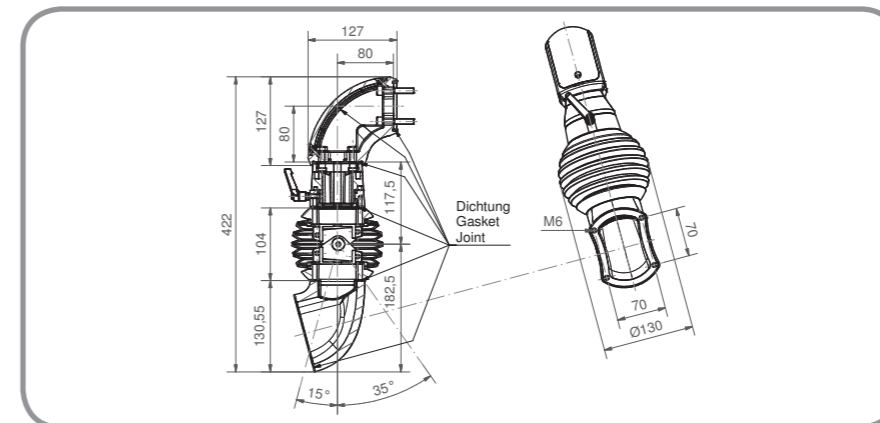
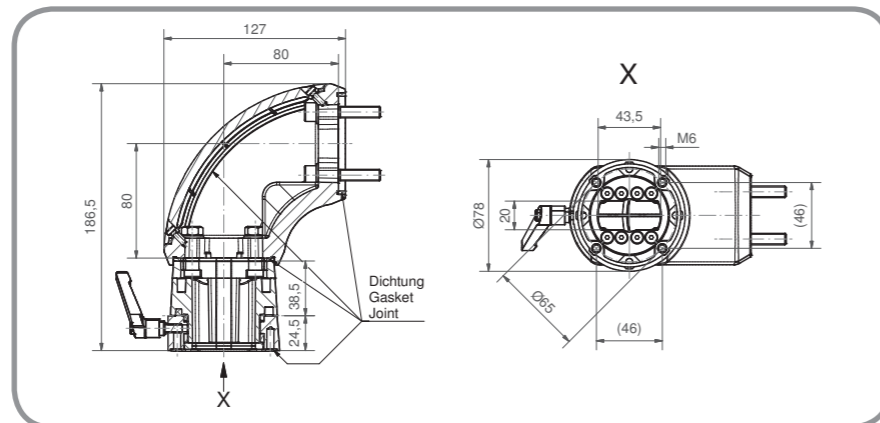


Upright

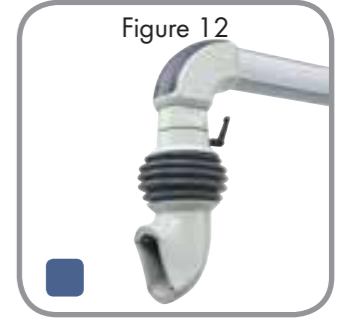
Elbow coupling



Hanging



Elbow desk coupling N

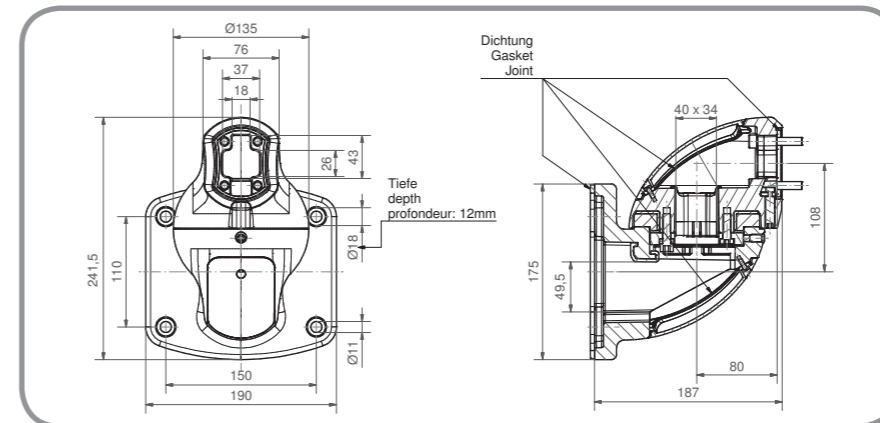
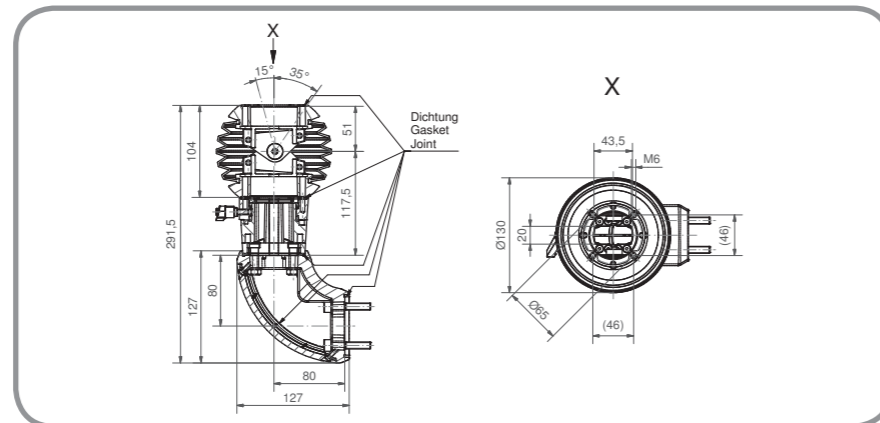


Hanging

Elbow coupling N



Upright

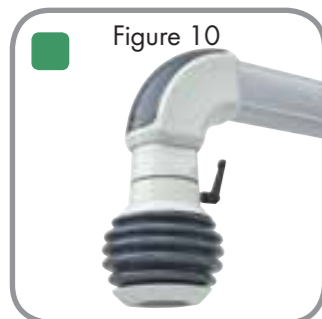


Wall joint

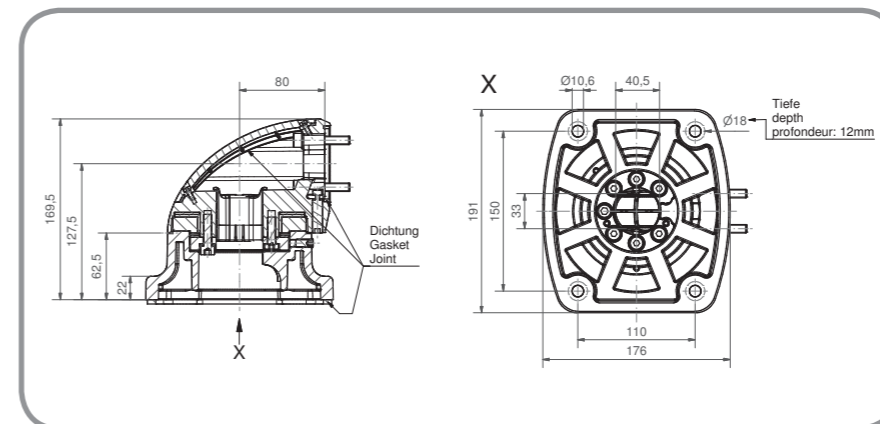
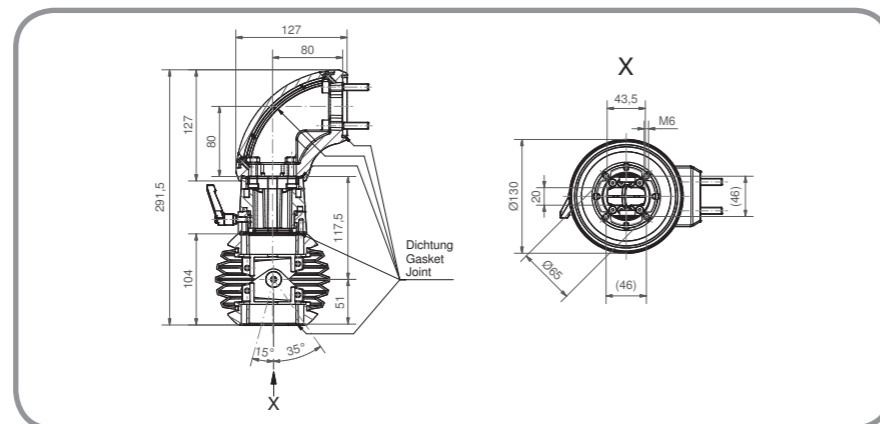


Figure 13

Elbow coupling N



Hanging



Socket joint



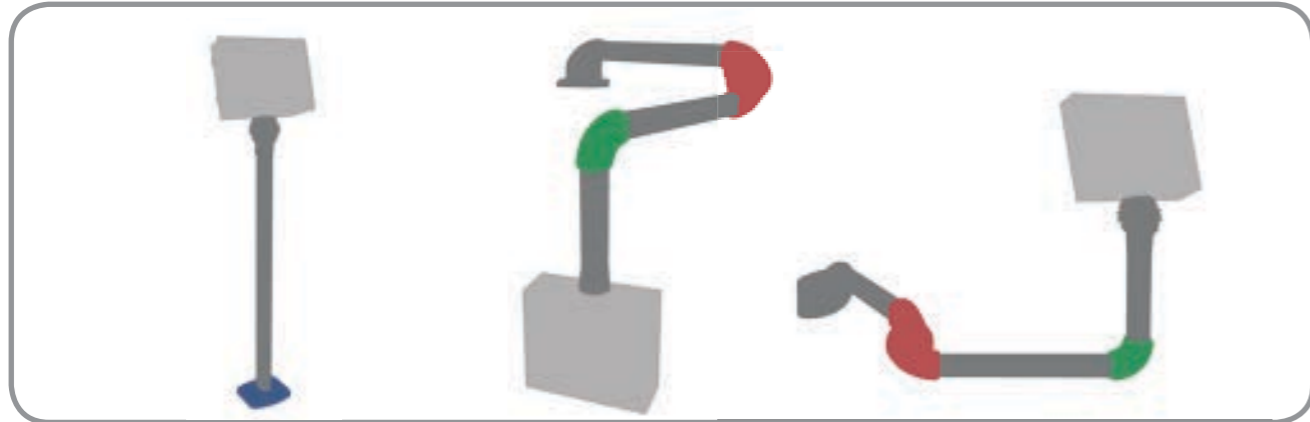
Figure 14

profiPLUS 50

System components



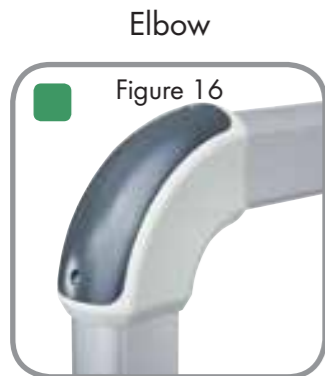
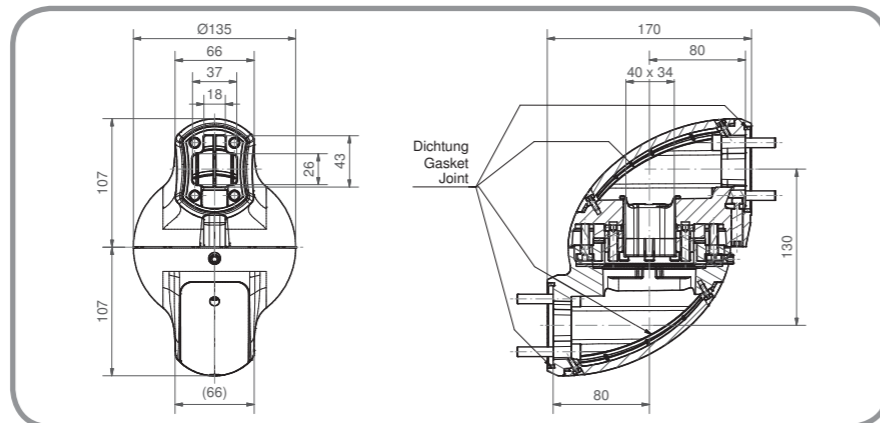
Our passion is enclosures.



Intermediate joint

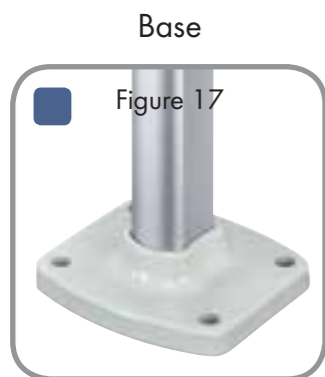
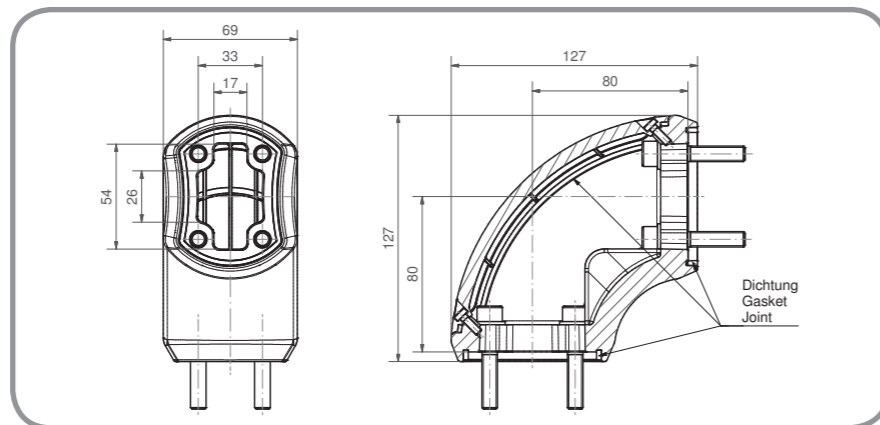


Figure 15



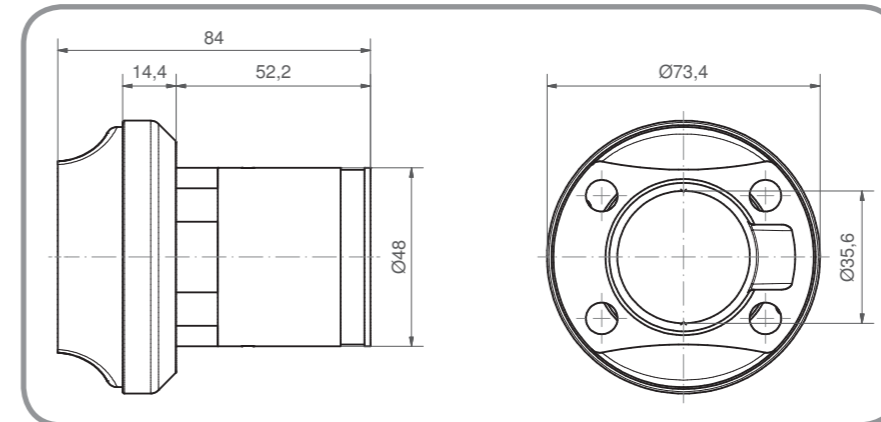
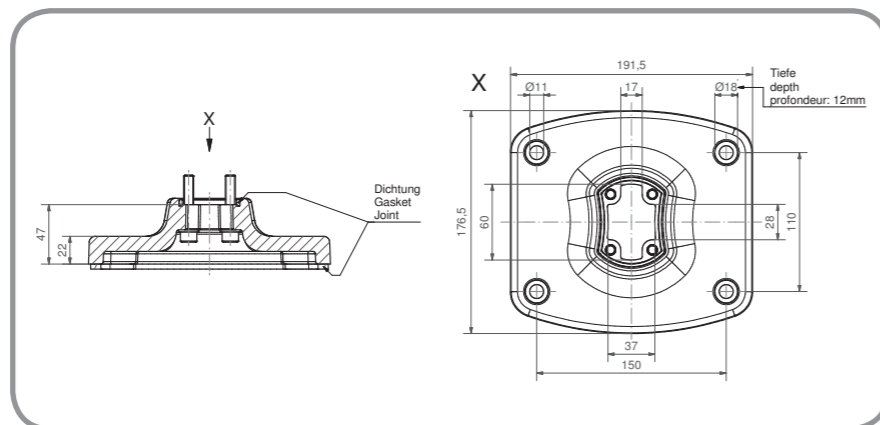
Elbow

Figure 16



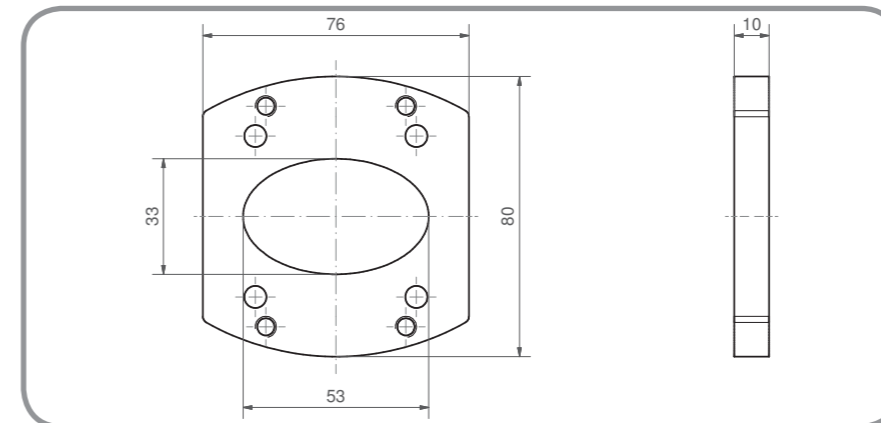
Base

Figure 17



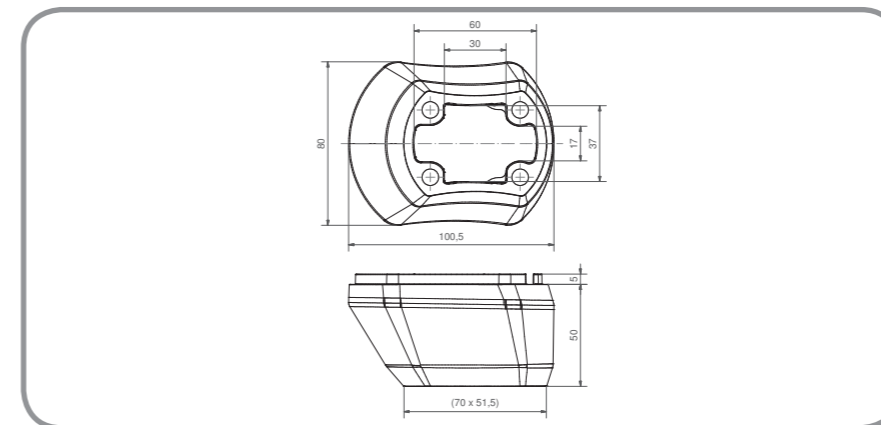
Beckhoff adapter

Figure 18



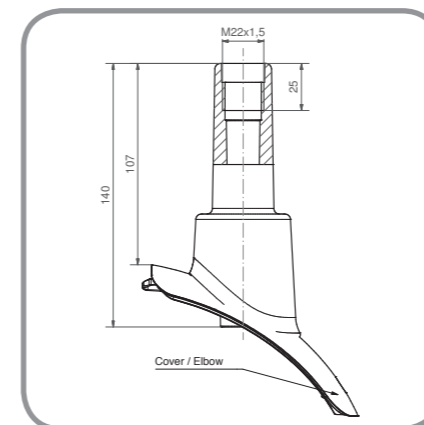
Siemens adapter

Figure 19



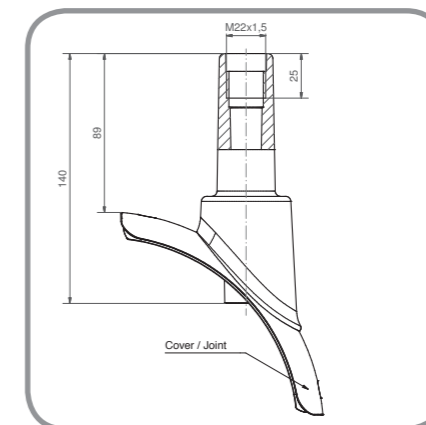
70/50 adapter

Figure 20



Signal light adapter
Joint/elbow

Figure 21



| Figure | System components | Mat. no. | hanging | upright | pivoting | horizontally adjusting | tilting | Support profile length* mm | Weight / g | System length**** mm |
|--------|-----------------------|-------------|---------|---------|----------|------------------------|---------|----------------------------|------------|----------------------|
| 1 | Coupling ** | 142.240.250 | | + | + | | | 250 | 1.450 | 64 |
| 1 | | 142.240.500 | | + | + | | | 500 | 2.350 | 64 |
| 1 | | 142.240.750 | | + | + | | | 750 | 3.250 | 64 |
| 1 | | 142.241.000 | | + | + | | | 1.000 | 4.150 | 64 |
| 2 | | 142.250.250 | + | | + | | | 250 | 1.450 | 64 |
| 2 | | 142.250.500 | + | | + | | | 500 | 2.350 | 64 |
| 2 | | 142.250.750 | + | | + | | | 750 | 3.250 | 64 |
| 2 | | 142.251.000 | + | | + | | | 1.000 | 4.150 | 64 |
| 3 | Coupling N ** | 142.260.250 | | + | + | | + | 250 | 2.520 | 168 |
| 3 | | 142.260.500 | | + | + | | + | 500 | 3.420 | 168 |
| 3 | | 142.260.750 | | + | + | | + | 750 | 4.320 | 168 |
| 3 | | 142.261.000 | | + | + | | + | 1.000 | 5.220 | 168 |
| 4 | | 142.270.250 | + | | + | | + | 250 | 2.520 | 168 |
| 4 | | 142.270.500 | + | | + | | + | 500 | 3.520 | 168 |
| 4 | | 142.270.750 | + | | + | | + | 750 | 4.320 | 168 |
| 4 | | 142.271.000 | + | | + | | + | 1.000 | 5.220 | 168 |
| 5 | Desk coupling N ** | 142.280.250 | | + | + | | + | 250 | 3.390 | V245/H47 |
| 5 | | 142.280.500 | | + | + | | + | 500 | 4.290 | V245/H47 |
| 5 | | 142.280.750 | | + | + | | + | 750 | 5.190 | V245/H47 |
| 5 | | 142.281.000 | | + | + | | + | 1.000 | 6.090 | V245/H47 |
| 6 | | 142.290.250 | + | | + | | + | 250 | 3.390 | V245/H47 |
| 6 | | 142.290.500 | + | | + | | + | 500 | 4.290 | V245/H47 |
| 6 | | 142.290.750 | + | | + | | + | 750 | 5.190 | V245/H47 |
| 6 | | 142.291.000 | + | | + | | + | 1.000 | 6.090 | V245/H47 |
| 7 | Elbow coupling | 142.034.000 | | + | + | | | | 1.260 | V144/H80 |
| 8 | | 142.035.000 | + | | + | | | | 1.260 | V144/H80 |
| 9 | Elbow coupling N | 142.036.000 | | + | + | | + | | 2.370 | V248/H80 |
| 10 | | 142.037.000 | + | | + | | + | | 2.370 | V248/H80 |
| 11 | Elbow desk coupling N | 142.038.000 | | + | + | | + | | 3.240 | V325/H127 |
| 12 | | 142.039.000 | + | | + | | + | | 3.240 | V325/H127 |
| 13 | Wall joint | 142.010.000 | | + | + | + | | | 5.350 | 185 |
| 14 | Socket joint | 142.005.000 | | + | + | + | | | 4.450 | 80 |
| 15 | Intermediate joint | 142.015.000 | | + | + | | | | 4.050 | 80 |
| 16 | Elbow | 142.020.000 | + | + | | | | | 750 | 80 |

| Figure | System components | Mat. no. | hanging | upright | pivoting | horizontally adjusting | tilting | Support profile length* mm | Weight / g | System length**** mm |
|--------|------------------------------|-------------|---------|---------|----------|------------------------|---------|----------------------------|------------|----------------------|
| 17 | Base *** | 142.030.000 | + | + | | | | | 1.350 | 50 |
| - | Support profile 0.25m | 142.000.250 | | | | | | | 900 | |
| - | Support profile 0.50m | 142.000.500 | | | | | | | 1.800 | |
| - | Support profile 0.75m | 142.000.750 | | | | | | | 2.700 | |
| - | Support profile 1.00m | 142.001.000 | | | | | | | 3.600 | |
| - | Support profile 1.50m | 142.001.500 | | | | | | | 5.400 | |
| 18 | Beckhoff adapter Ø48 | 142.000.000 | + | + | | | | | 200 | 27 |
| 19 | Siemens adapter | 142.024.000 | + | + | | | | | 110 | 11 |
| 20 | 70/50 adapter | 143.000.001 | + | + | | | | | 370 | 55 |
| 21 | Adapter signal light - joint | 142.020.501 | | | | | | | 150 | |
| 21 | Adapter signal light - elbow | 142.020.502 | | | | | | | 180 | |

† Functional features
 * Special lengths available on request
 ** Delivery with support profile fitted
 *** Horizontal and vertical installation possible
 **** The cited values are added to the support profile length. This provides the effective system length.
 (Details are vertical (V) and horizontal (H) for an upright coupling rotating axis respectively)

Technical data

System components:

Die cast aluminium, RAL 7035 light grey

Cover:

Plastic (POM), RAL 7016 anthracite grey

Bellows:

PVC-P, (-30°C to +70°C)
RAL 7016 anthracite grey

Support profile:

Extruded aluminium profile, silver anodised
Fastening thread preformed

Gasket:

Chloroprene (CR), (-30°C to +90°C)

Ingress protection:

IP54 / EN 60529

Integrated earth bonding:

DIN VDE 0113 / EN 60204-1 / IEC 204-1

Patented:

Fast horizontal alignment of the complete system structure with a single set screw

OPTIONAL:

Surface:

Special colours for system elements and support profiles

Matching ROLEC control enclosures:

commandCASE, topVISION, multiVISION, aluFACE

profiPLUS 50 & 70

The connection of both systems

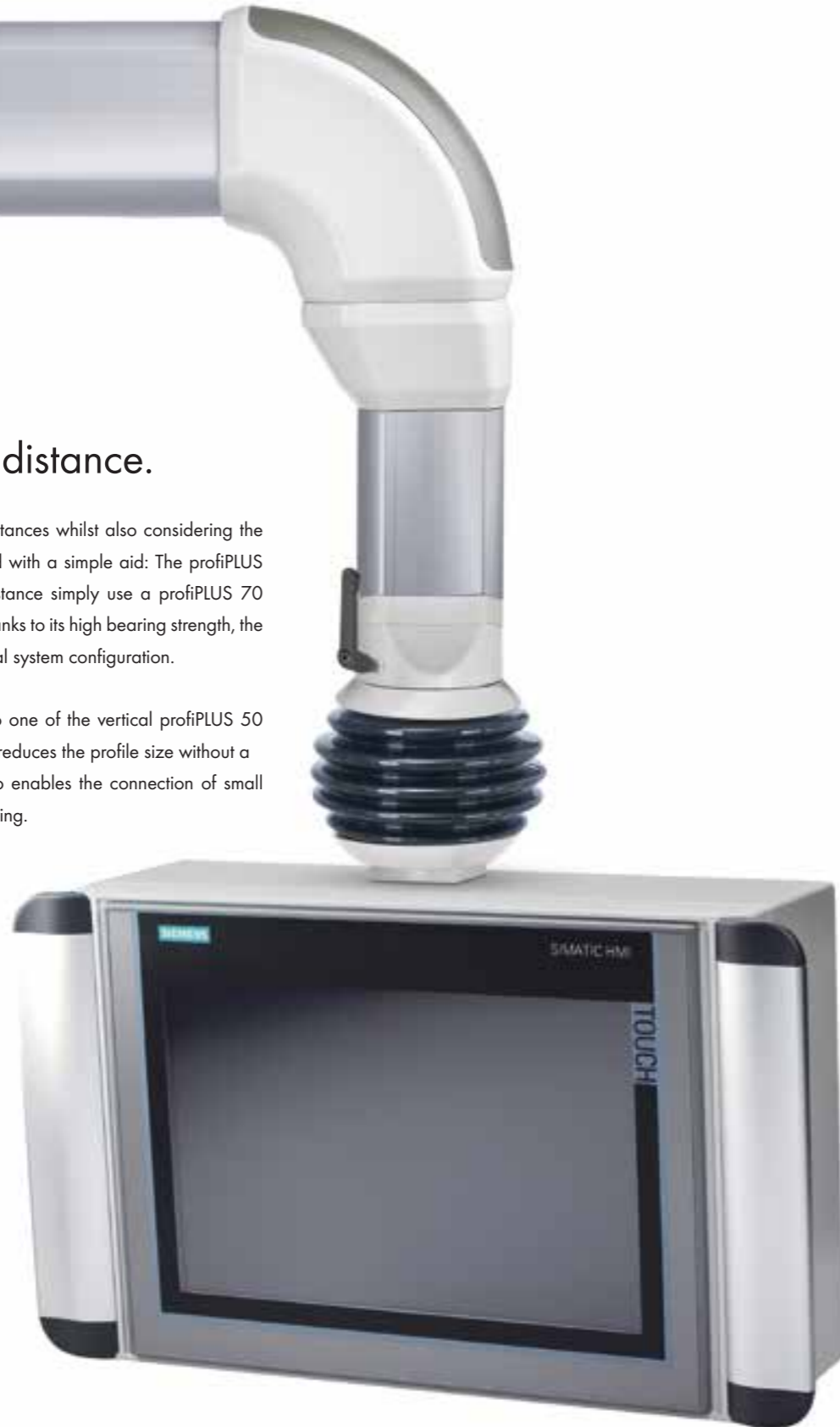


Our passion is enclosures.

Stability over great distance.

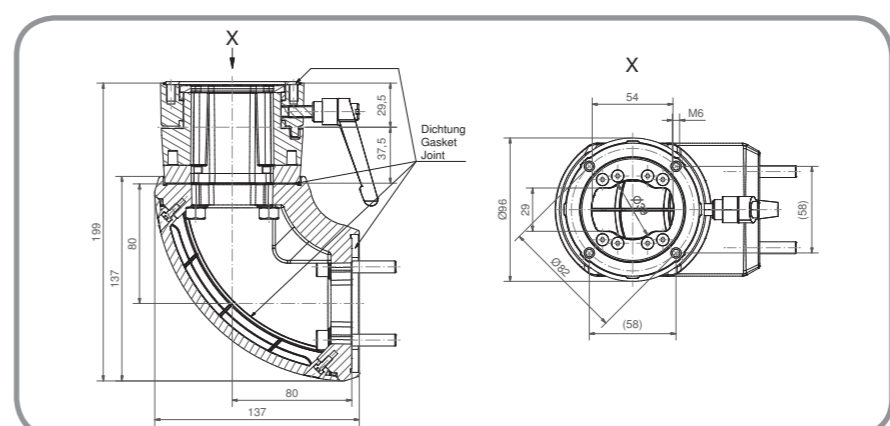
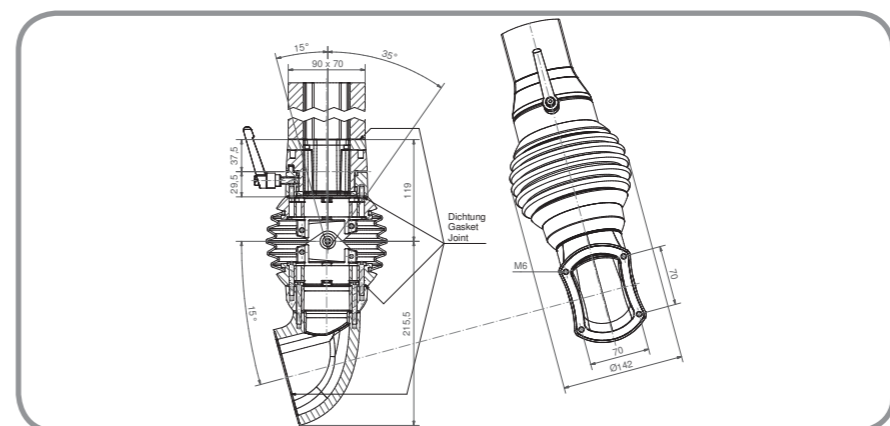
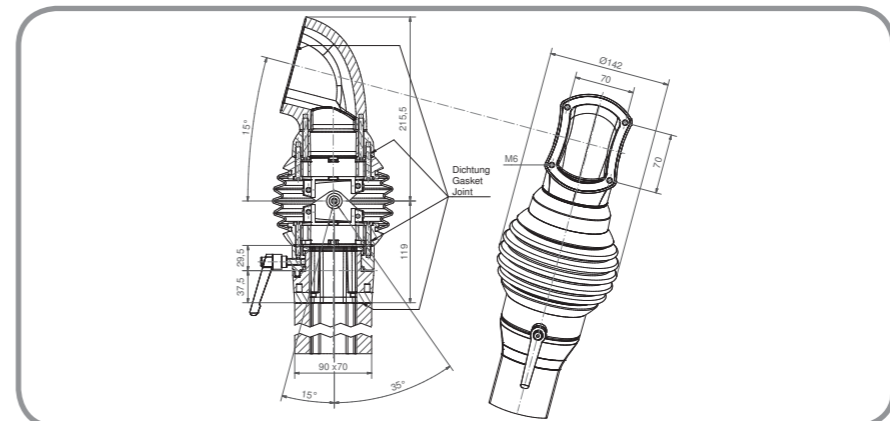
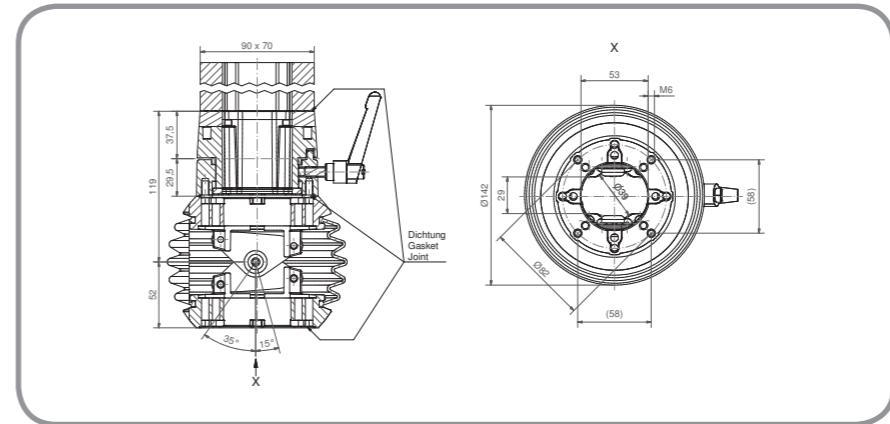
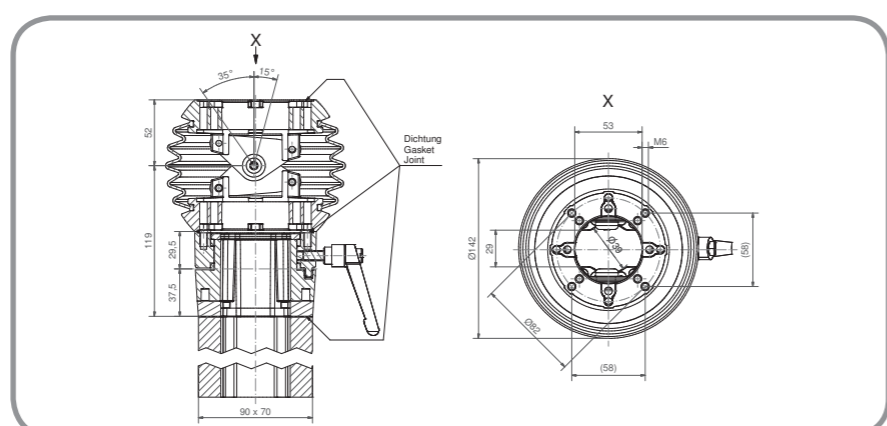
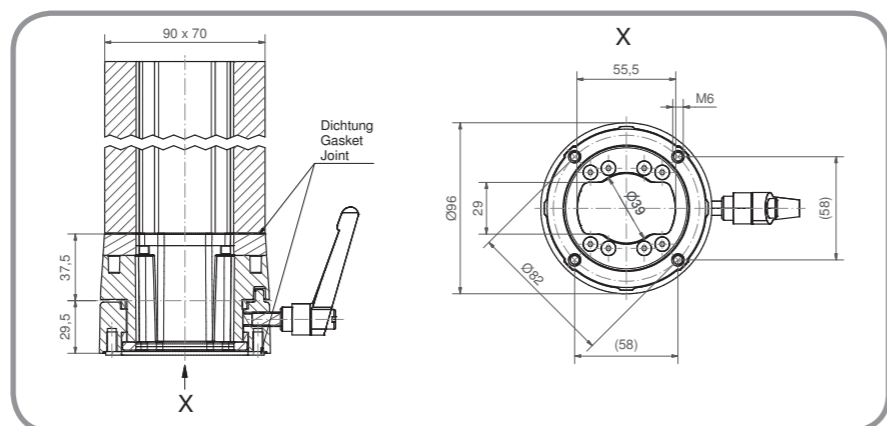
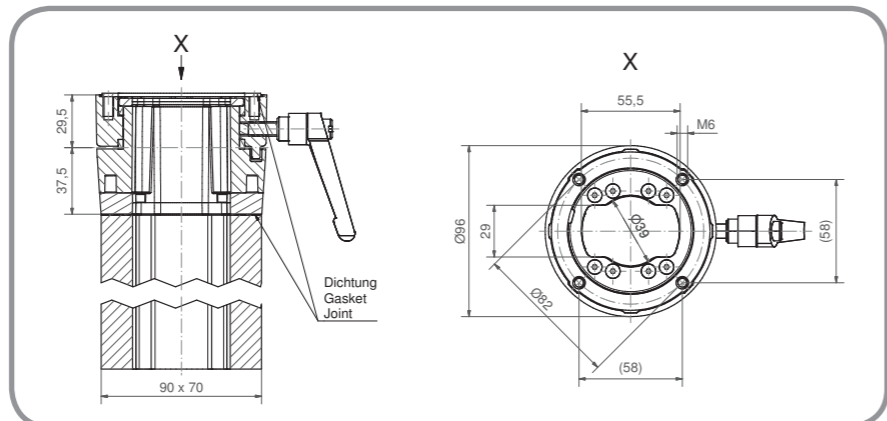
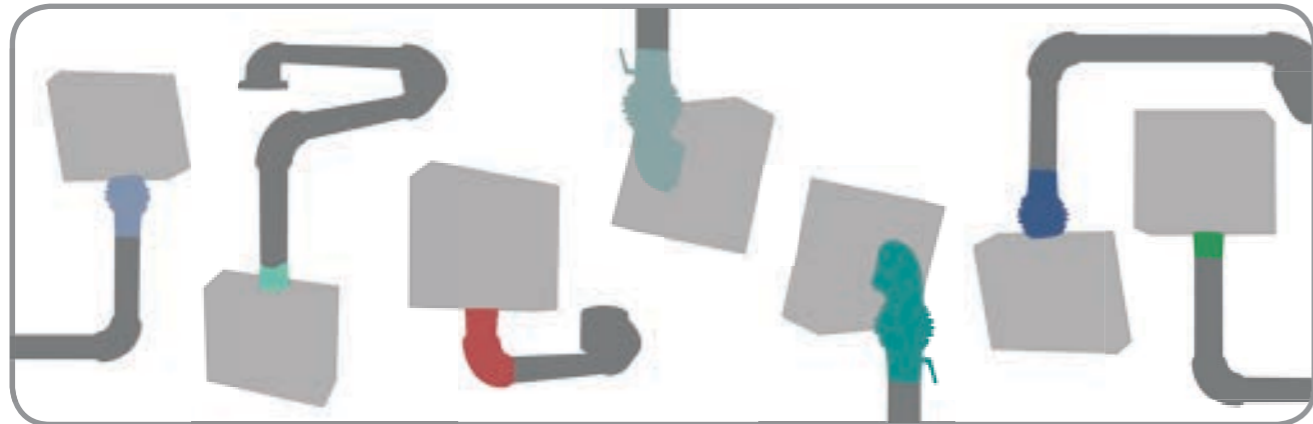
When it is necessary to bridge greater distances whilst also considering the load-bearing capacity, this can be realised with a simple aid: The profiPLUS 70-50 adapter. In order to bridge the distance simply use a profiPLUS 70 suspension arm with wall or socket joint. Thanks to its high bearing strength, the profiPLUS 70 guarantees a stable horizontal system configuration.

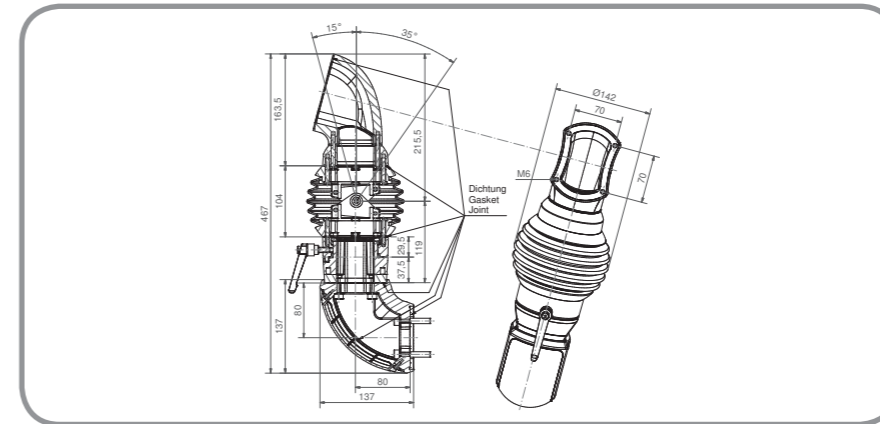
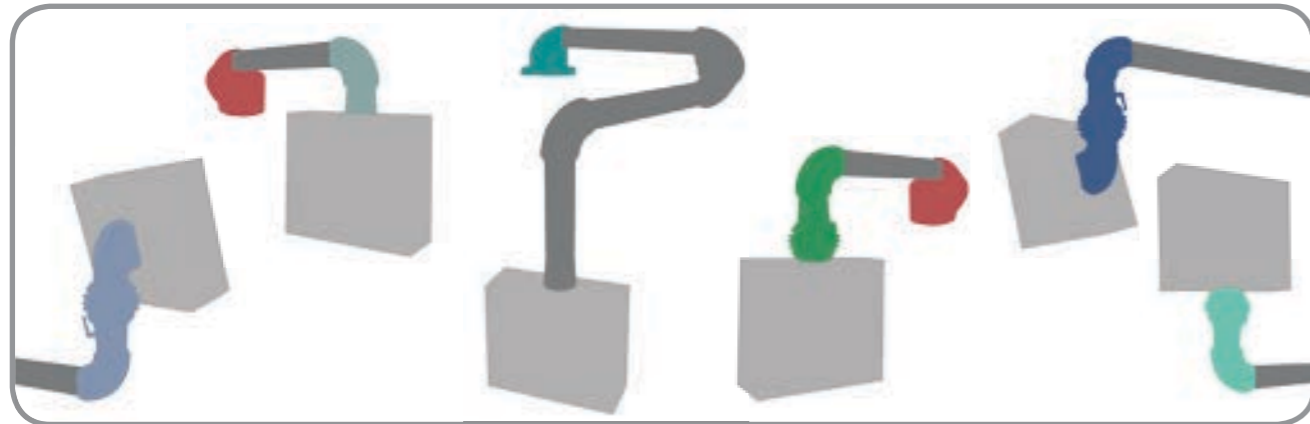
Before the control enclosure is bolted onto one of the vertical profiPLUS 50 couplings, the 70-50 adapter is fitted. This reduces the profile size without a loss in bearing strength and therefore also enables the connection of small controls to a profiPLUS 50 enclosure coupling.



profiPLUS 70 System components







Elbow desk coupling N



Figure 11

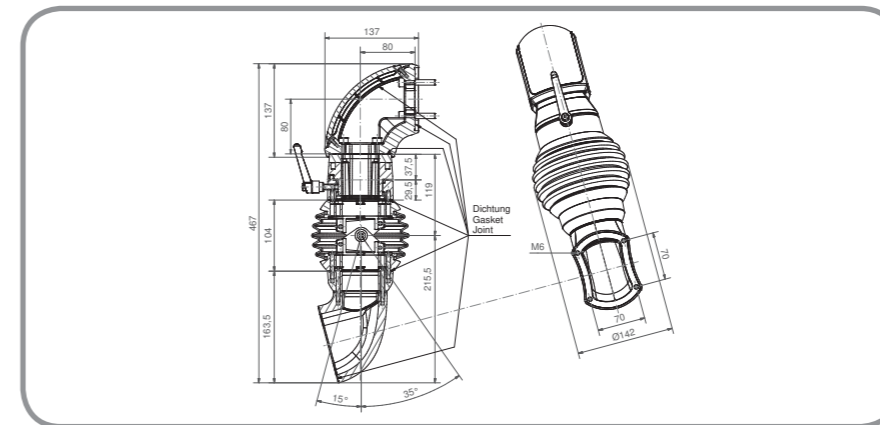
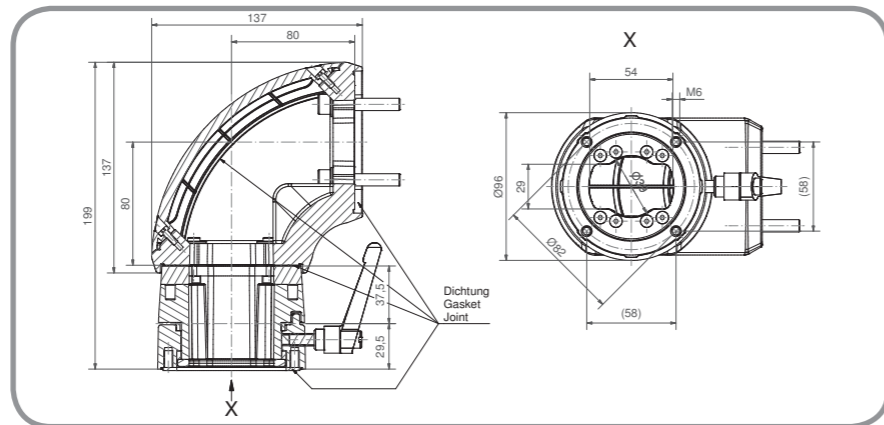
Upright

Elbow coupling



Figure 8

Hanging



Elbow desk coupling N

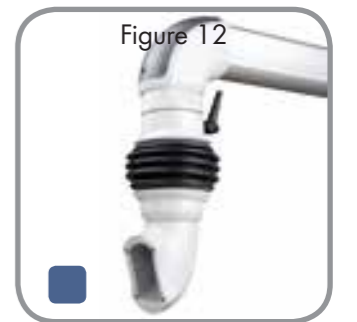


Figure 12

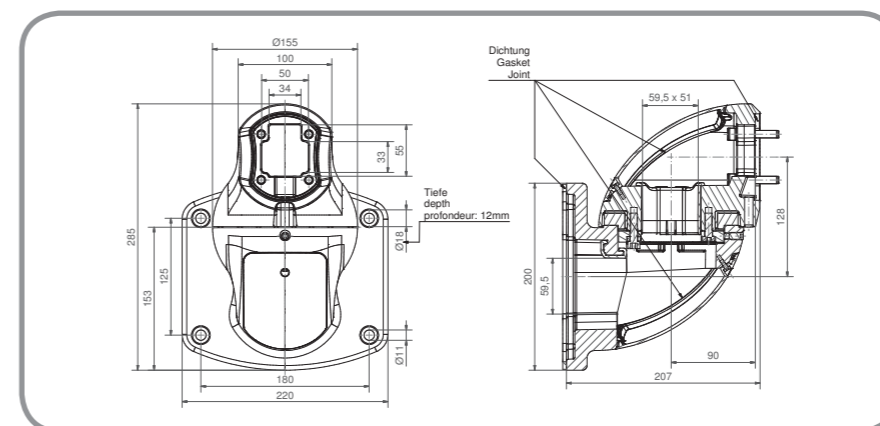
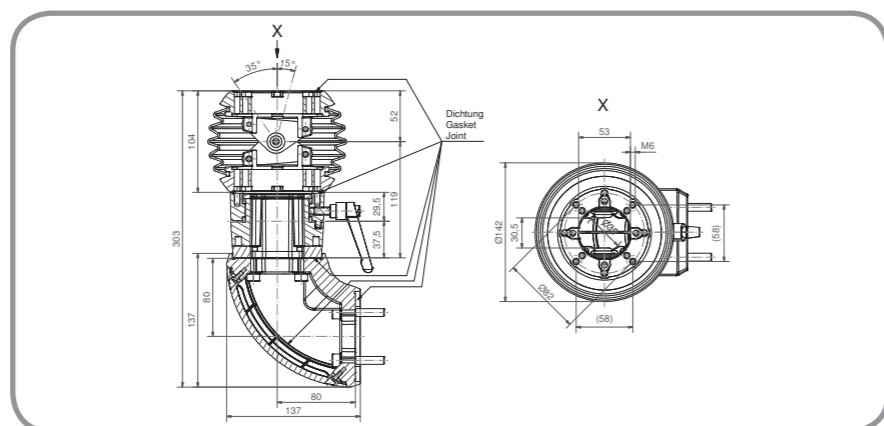
Hanging

Elbow coupling N



Figure 9

Upright



Wall joint



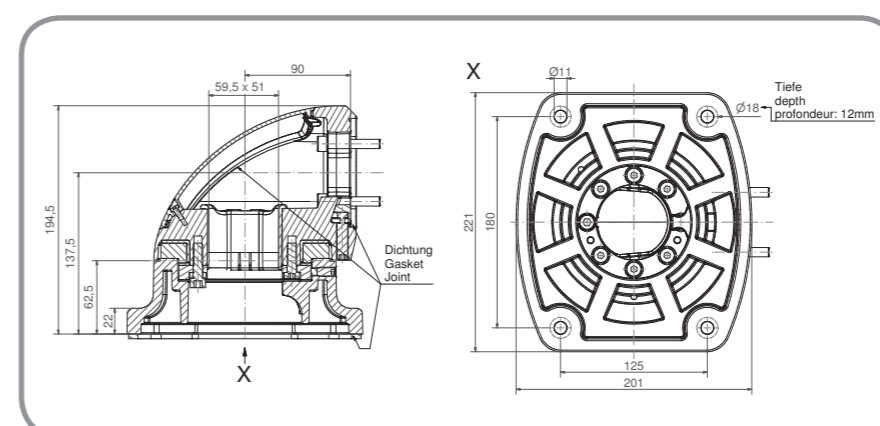
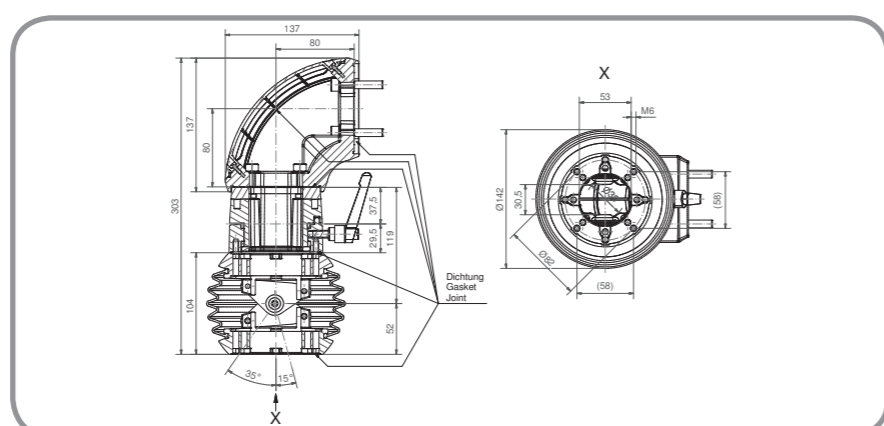
Figure 13

Elbow coupling N



Figure 10

Hanging



Socket joint



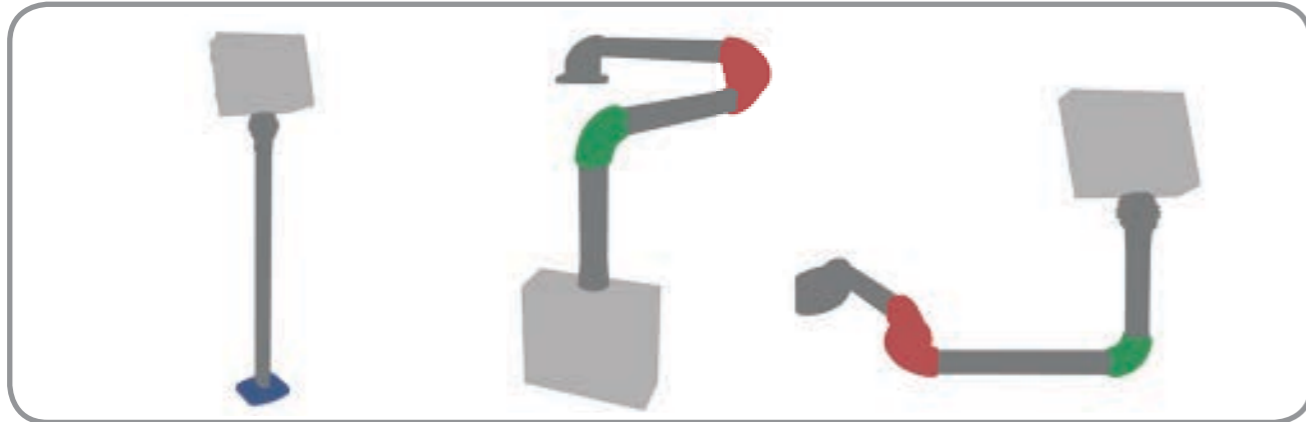
Figure 14

profiPLUS 70

System components



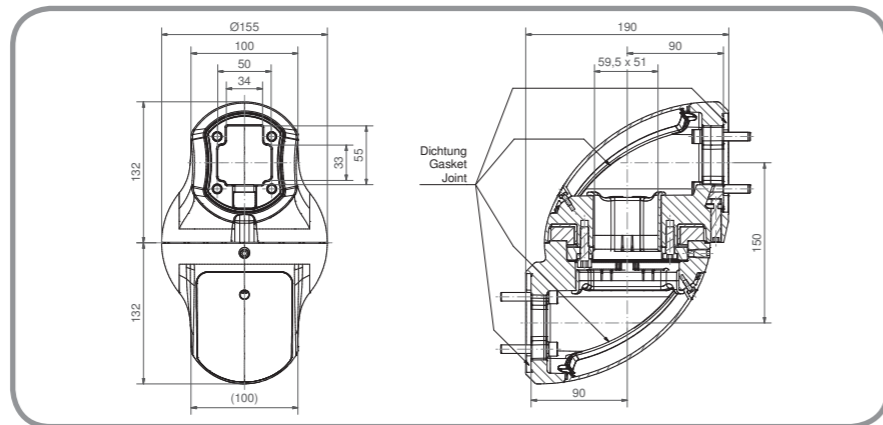
Our passion is enclosures.



Intermediate joint



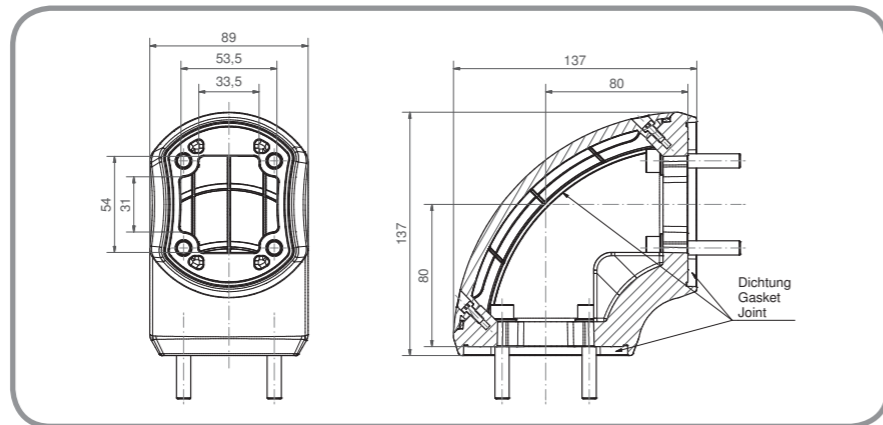
Figure 15



Elbow



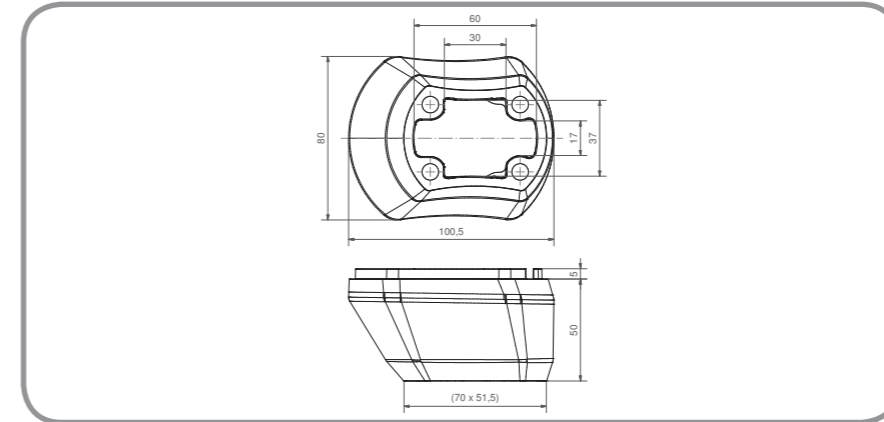
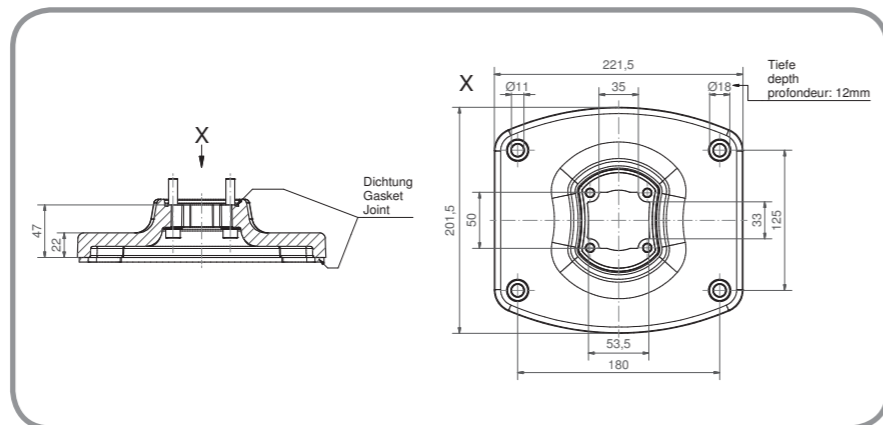
Figure 16



Base

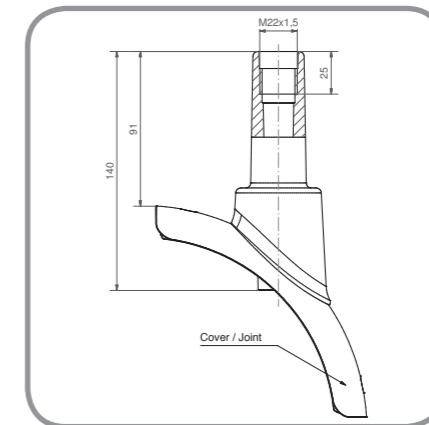
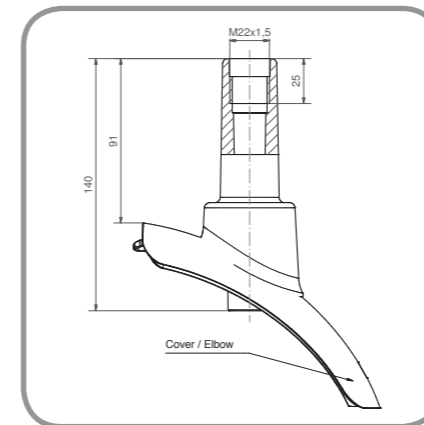


Figure 17



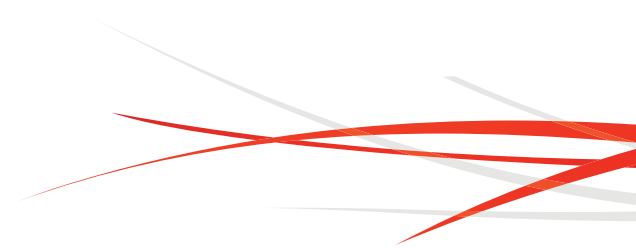
70/50 adapter

Figure 18



Signal light adapter
Joint/elbow

Figure 19



| Figure | System components | Mat. no. | Hanging | Upright | pivoting | horizontally adjusting | tilting | Support profile length* mm | Weight / g | System length**** mm |
|--------|-----------------------|-------------|---------|---------|----------|------------------------|---------|----------------------------|------------|----------------------|
| 1 | Coupling ** | 143.240.250 | | + | + | | | 250 | 2.210 | 68 |
| 1 | | 143.240.500 | | + | + | | | 500 | 3.590 | 68 |
| 1 | | 143.240.750 | | + | + | | | 750 | 4.970 | 68 |
| 1 | | 143.241.000 | | + | + | | | 1.000 | 6.350 | 68 |
| 2 | | 143.250.250 | + | | + | | | 250 | 2.210 | 68 |
| 2 | | 143.250.500 | + | | + | | | 500 | 3.590 | 68 |
| 2 | | 143.250.750 | + | | + | | | 750 | 4.970 | 68 |
| 2 | | 143.251.000 | + | | + | | | 1.000 | 6.350 | 68 |
| 3 | Coupling N ** | 143.260.250 | | + | + | | + | 250 | 3.590 | 171 |
| 3 | | 143.260.500 | | + | + | | + | 500 | 4.970 | 171 |
| 3 | | 143.260.750 | | + | + | | + | 750 | 6.350 | 171 |
| 3 | | 143.261.000 | | + | + | | + | 1.000 | 7.730 | 171 |
| 4 | | 143.270.250 | + | | + | | + | 250 | 3.590 | 171 |
| 4 | | 143.270.500 | + | | + | | + | 500 | 4.970 | 171 |
| 4 | | 143.270.750 | + | | + | | + | 750 | 6.350 | 171 |
| 4 | | 143.271.000 | + | | + | | + | 1.000 | 7.730 | 171 |
| 5 | Desk coupling N ** | 143.280.250 | | + | + | | + | 250 | 4.700 | V245/H47 |
| 5 | | 143.280.500 | | + | + | | + | 500 | 6.080 | V245/H47 |
| 5 | | 143.280.750 | | + | + | | + | 750 | 7.460 | V245/H47 |
| 5 | | 143.281.000 | | + | + | | + | 1.000 | 8.840 | V245/H47 |
| 6 | | 143.290.250 | + | | + | | + | 250 | 4.700 | V245/H47 |
| 6 | | 143.290.500 | + | | + | | + | 500 | 6.080 | V245/H47 |
| 6 | | 143.290.750 | + | | + | | + | 750 | 7.460 | V245/H47 |
| 6 | | 143.291.000 | + | | + | | + | 1.000 | 8.840 | V245/H47 |
| 7 | Elbow coupling | 143.034.000 | | + | + | | | | 1.740 | V148/H80 |
| 8 | | 143.035.000 | + | | + | | | | 1.740 | V148/H80 |
| 9 | Elbow coupling N | 143.036.000 | | + | + | | + | | 3.120 | V251/H80 |
| 10 | | 143.037.000 | + | | + | | + | | 3.120 | V251/H80 |
| 11 | Elbow desk coupling N | 143.038.000 | | + | + | | + | | 4.260 | V325/H127 |
| 12 | | 143.039.000 | + | | + | | + | | 4.260 | V325/H127 |
| 13 | Wall joint | 143.010.000 | | + | + | + | | | 6.800 | 203 |
| 14 | Socket joint | 143.005.000 | | + | + | + | | | 5.380 | 90 |
| 15 | Intermediate joint | 143.015.000 | | + | + | | | | 5.320 | 90 |
| 16 | Elbow | 143.020.000 | + | + | | | | | 870 | 80 |

| Item | System components | Mat. no. | hanging | upright | pivoting | horizontally adjusting | tilting | Support profile length* mm | Weight / g | System length**** mm |
|------|------------------------------|-------------|---------|---------|----------|------------------------|---------|----------------------------|------------|----------------------|
| 17 | Base *** | 143.030.000 | + | + | | | | | 1.620 | 50 |
| - | Support profile 0.25m | 143.000.250 | | | | | | 250 | 1.380 | |
| - | Support profile 0.50m | 143.000.500 | | | | | | 500 | 2.760 | |
| - | Support profile 0.75m | 143.000.750 | | | | | | 750 | 4.140 | |
| - | Support profile 1.00m | 143.001.000 | | | | | | 1.000 | 5.520 | |
| - | Support profile 1.50m | 143.001.500 | | | | | | 1.500 | 8.280 | |
| 18 | 70/50 adapter | 143.000.001 | + | + | | | | | 370 | 55 |
| 19 | Adapter signal light - joint | 143.020.501 | | | | | | | 180 | |
| 19 | Adapter signal light - elbow | 143.020.502 | | | | | | | 200 | |

+ Functional features
 * Special lengths available on request
 ** Delivery with support profile fitted
 *** Horizontal and vertical installation possible
 **** The cited values are added to the support profile length. This provides the effective system length.
 (Details are vertical (V) and horizontal (H) for an upright coupling rotating axis respectively)

Technical data

System components:

Die cast aluminium, RAL 7035 light grey

Cover:

Plastic (POM), RAL 7016 anthracite grey

Bellows:

PVC-P, (-30°C to +70°C)
RAL 7016 anthracite grey

Support profile:

Extruded aluminium profile, silver anodised
Fastening thread preformed

Gasket:

Chloroprene (CR), (-30°C to +90°C)

Ingress protection:

IP54 / EN 60529

Integrated earth bonding:

DIN VDE 0113 / EN 60204-1 / IEC 204-1

Patented:

Fast horizontal alignment of the complete system structure with a single set screw

OPTIONAL:

Surface:

Special colours for system elements and support profiles

Matching ROLEC control enclosures:

commandCASE, topVISION, multiVISION, aluFACE

Full service

Benefit from our specific strength



Our *passion* is enclosures.



The ROLEC principle: Technical perfection with top quality.

We always act according to this very simple principle with everything we do.

ROLEC is proud to have constantly led the development and application of new enclosure concepts. The company founders, Friedhelm and Matthias Rose, are pioneers of enclosure technology. Sophisticated design and maximum customer benefits are our primary focuses.

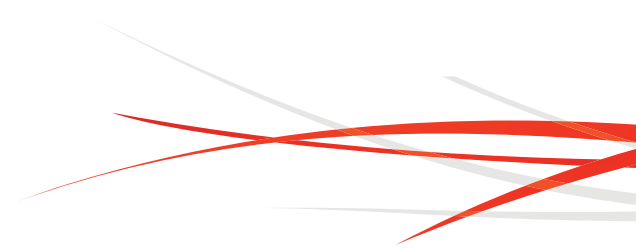
Our customers are discerning. And that is a good thing. Because we are too. It is for this reason that we ensure our products are top quality.

For us, top products naturally also means top customer service. This includes the human factor – treating each other well – as well as first-class services in product processing.

Benefit from our specific strength: Turn-key processing.

Simply let us know your requirements and we will realise them for you.

- Drilling
- Milling
- Lasering
- Engraving
- Powder-coating
- Painting
- Marking
- Finishing
- Supplying front plates
- Supplying membrane keypads





Our *passion* is enclosures.



ROLEC
Gehäuse-Systeme GmbH
Kreuzbreite 2
D-31737 Rinteln

Fon +49 (0) 5751 4003-0
Fax +49 (0) 5751 4003-50
info@rolec.de
www.rolec.de



000.000.223