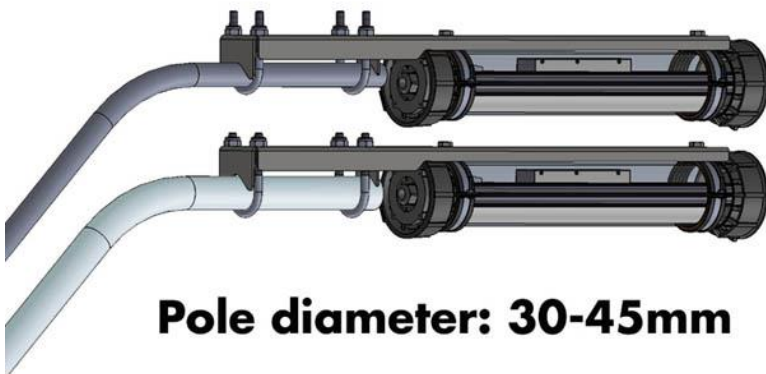
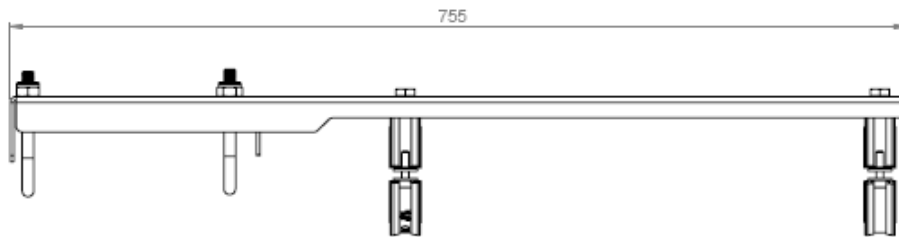


ATEXOR code	70904
Product description	Stainless steel support for fixing the SLAM FIXED luminaires
Material	Stainless steel AISI316
Weight	2,7 kg
Pole fixing brackets	For poles diameter 30-45mm
Compatible products	SLAM FIXED® 1LED WS SLAM FIXED® Linear 2LED WS



Pole diameter: 30-45mm

ATEXOR code	70905
Product description	Stainless steel support for fixing the SLAM FIXED luminaires
Material	Stainless steel AISI316
Weight	1,3 kg (2pcs)
Ceiling fixing brackets	Install hole width 190-270mm
Compatible products	SLAM FIXED® 1LED WS SLAM FIXED® Linear 2LED WS

