

Inquiry form profiPANEL-profiPLUS

Customer:

Contact partner:

Phone:

Email address:

Quantity/p.a.:

Target price:

Enclosure depth 300mm



Standard execution

Enclosure:	Extruded profiles, silver anodised
Front plate fixed:	3mm, silver anodised
Rear wall front frame:	3mm, silver anodised with lock and hinge
Rear wall desk:	3mm, silver anodised, screwed
Lock and hinge:	Powder coating, silver metallic
Edge cover:	Polyamid (PA), RAL7035
Ingress protection:	IP65 / EN 60529
Temperature range:	-20°C up to +60°C
External dimension HxW max.:	800 x 800mm
External dimension HxW min.:	250 x 250mm

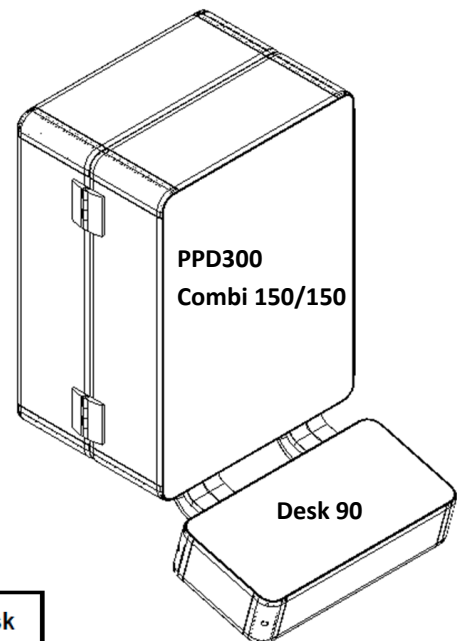
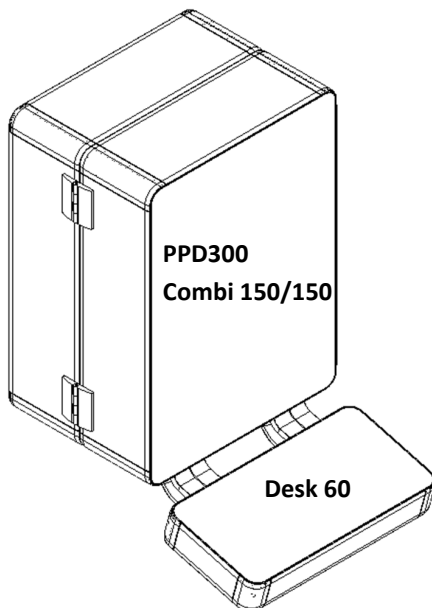
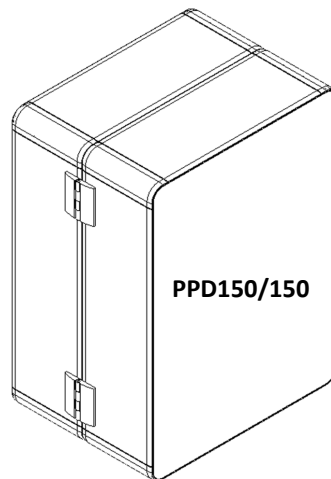
profiPANEL

**Enclosure depth 300mm
(max. mounting depth 294mm)**



Our passion is enclosures.

Enclosure combination



1 x Cable bushing for desk
(left side) max. 45x28mm

profiPANEL

**Enclosure depth 300mm
(max. mounting depth 294mm)**



Our passion is enclosures.

Enclosure / Desk dimensions high x width

Enclosure HxW: _____ mm

Desk HxW: _____ mm

Dimensions by installed equipment

HMI Panel

SIEMENS

BECKHOFF



**Rockwell
Automation**

ICP IEI
INDUSTRIAL COMPUTER PRODUCTS

Schneider
Electric

ASEM
DIGITAL AUTOMATION TECHNOLOGIES

ADVANTECH

OMRON

Type/part.-no. _____

Others _____

Type/part.-no. _____

Circulation of air distance consider?

Yes

No

Further installed equipment / machining e.g. switch, push button and so on:

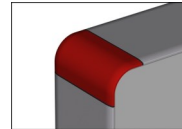


Our passion is enclosures.

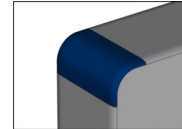
Accessories (optional)

Special colours for edge cover

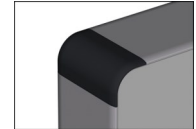
RAL 3020
Traffic red



RAL 5017
Traffic blue



RAL 9005
Deep black



Handle system

PPD300 Desk



both side



complete



Desk

PPD300



below



both side

Keyboard tray

Standard (450mm)



Tilt, lockably



Mouse tray only with
keyboard tray

Printing for front plate

(Printing file necessary)





Our passion is enclosures.

Mounting on suspension system profiPLUS 50

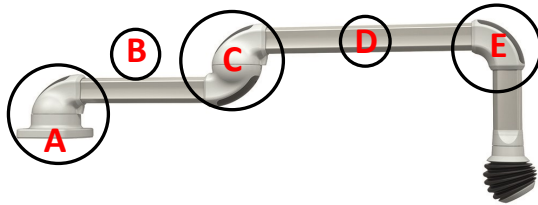
Upright version **

Hanging version **

** Mounting only on the demant front frame

Horizontal installation Please note: Maximum system length 2 m

*Not for over-head assembling



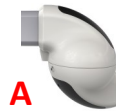
*Wall joint



*Socket joint



*Wall joint smart



*Socket joint smart



Optional:

Universal wall joint adjustment smart



Universal socket joint adjustment smart



ITEM/Bosch:

Socket joint profile adjustment smart



Wall joint profile adjustment smart



Support profile B

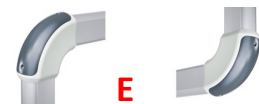
- 250mm
- 500mm
- 750mm
- 1000mm
- 1500mm
- _____mm



Intermediate joint

Support profile D

- 250mm
- 500mm
- 750mm
- 1000mm
- 1500mm
- _____mm



Elbow



Signal light adaption



Our passion is enclosures.

Vertical installation



****It's not allowed with intermediate joint!**

Support profile B

250mm

500mm

750mm

1000mm

1500mm

_____mm



Support profile C

250mm

500mm

_____mm



Signal light adaption D

Signal light adaption E

Support profile F

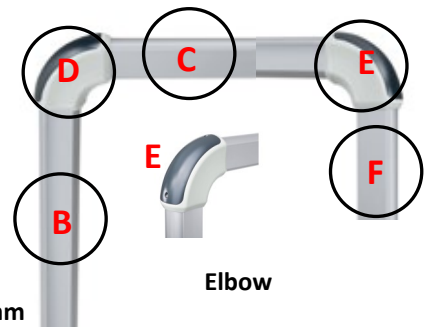
250mm

500mm

750mm

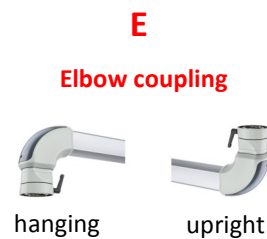
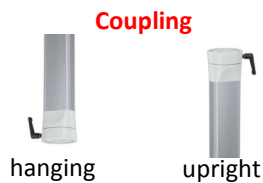
1000mm

_____mm



Enclosure couplings

***Please note: Couplings with tilt adjustment for desk versions on request!**



Profile length F

L = 250mm

L = 500mm

L = 750mm

L = 1000mm

L = _____mm