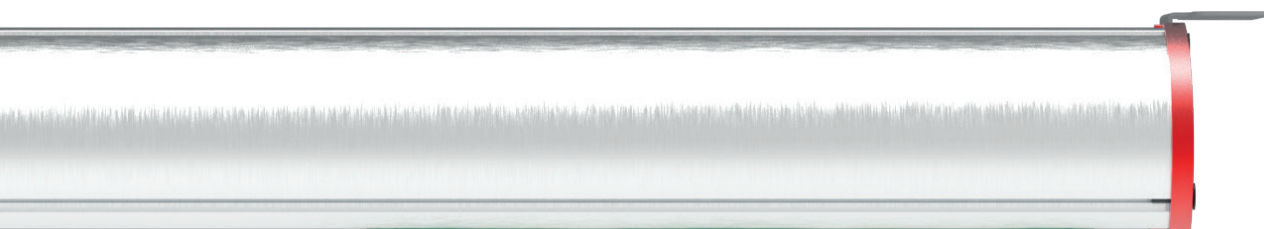


ZONE 21&2,22



EXL400LED-...-EXIT



Distributed by BOXCO AB, +46 8 580 210 10
info@boxco.se - www.boxco.se



© Copyright ATM Lighting sp. z o.o. All rights reserved.
The company ATM Lighting sp.z o.o. reserves the right to make changes without prior notice.



EX MARKING:  II 3G Ex ec IIC T6/T5 Gc
II 2D Ex tb IIIC T75°C/T100°C Db

ATEX: OBAC 21 ATEX 0060X

EXEMPLARY APPLICATIONS



REFINERIES
EMERGENCY

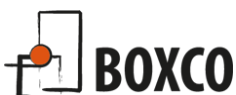


EVACUATION ROUTES
IN EX ZONES

Explosionproof light fitting with **LED modules**. Designed to work in the zone **21 & 2.22** of the explosion hazard of gases, vapors and mists of flammable liquids with air, as well as of flammable dusts and fibers. The housing is made of aluminum and the diffuser is made of polycarbonate or tempered glass.

Standard autonomous 3h power source.

Version with driver for central battery **ZB** and DALI interface **DA** optionally.



Distributed by BOXCO AB, +46 8 580 210 10
info@boxco.se - www.boxco.se









© Copyright ATM Lighting sp. z o.o. All rights reserved.
The company ATM Lighting sp.z o.o. reserves the right to make changes without prior notice.

FEATURES



MECHANICAL PARAMETERS

	housing	anodised aluminum
	diffuser	polycarbonate
	ingress protection	IP66 / IP67
	protection class	I
	mounting	different mountings <i>check: mountings</i>
	accessibility	revision cover

ELECTRICAL PARAMETERS

2,5 mm ²	connection terminals	
220-240V 50-60Hz	input voltage	
certified LED modules	light source	
>0,95	power factor	
Ø20 Ø25	cable inlets	
2kV	overvoltage protection	

WORK PARAMETERS

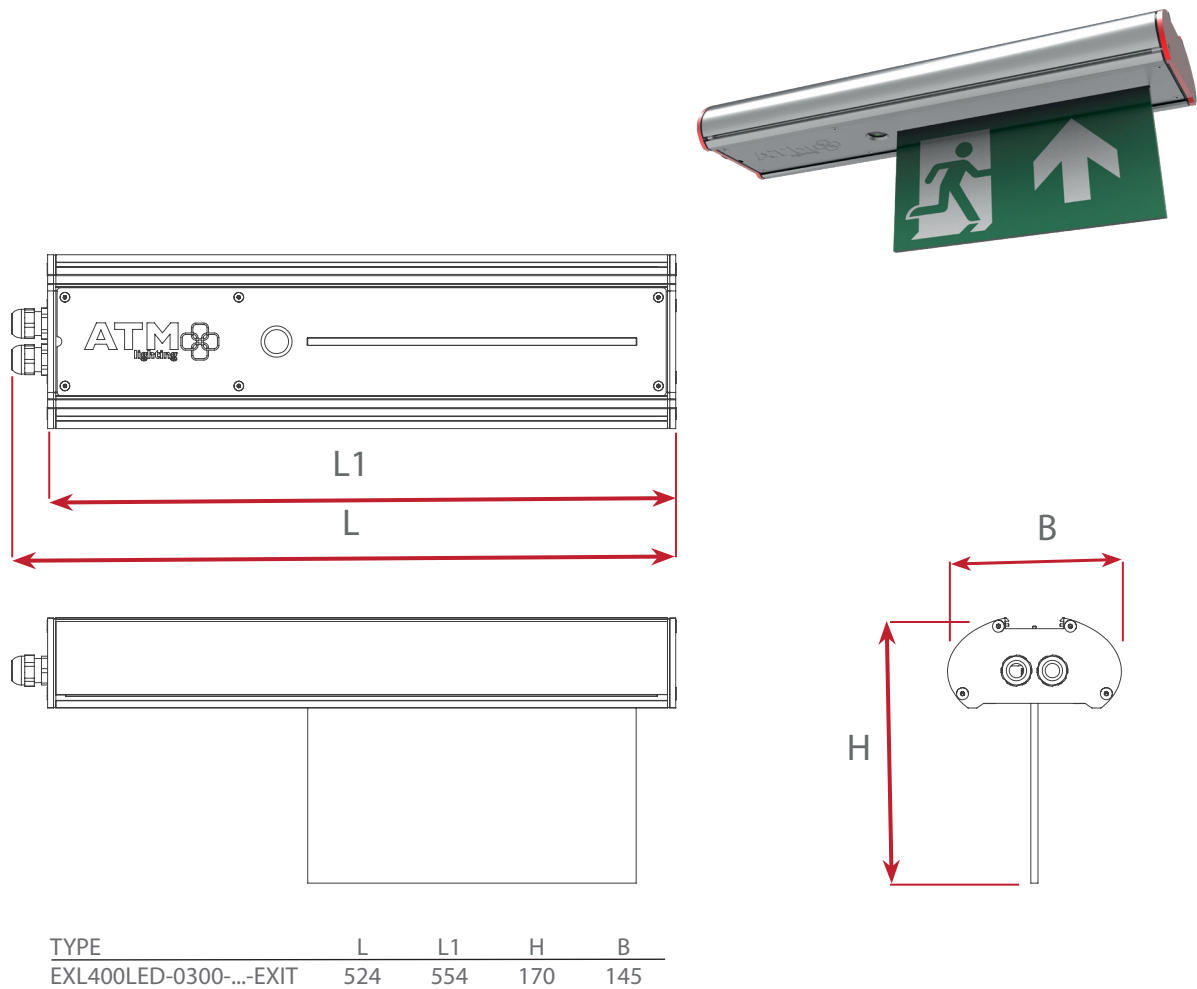
	ambient temperature	EXIT: 0°C up to +45°C EXIT-ZB: -40°C up to +45°C
	lifetime	>70.000h L ₈₀ B ₁₀

PHOTOMETRICAL PARAMETERS

>200 cd/m ²	brightness	
------------------------	------------	---



DIMENSIONS

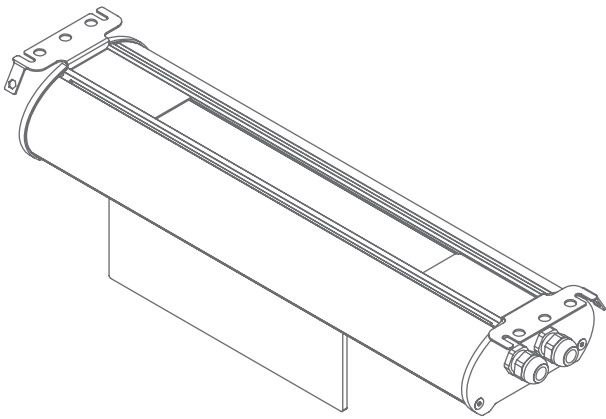


STANDARD PICTOGRAM KIT

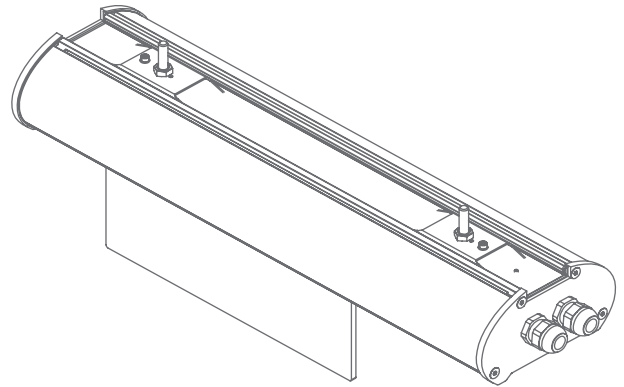


MOUNTINGS

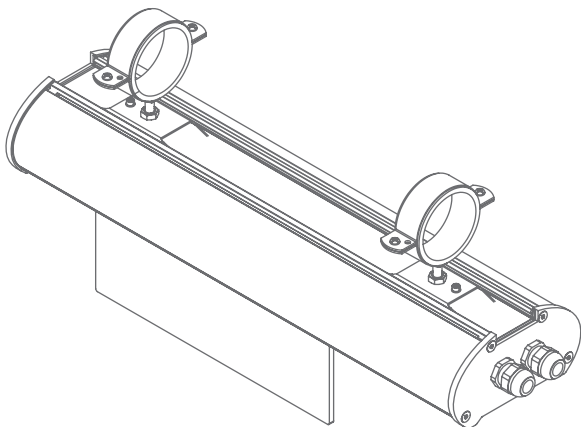
AMOA (standard)



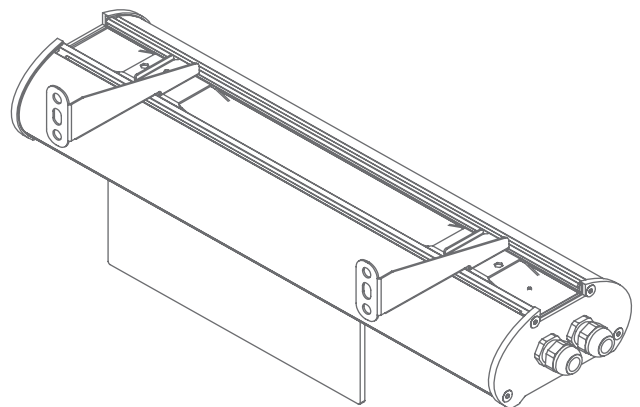
AMOC



AMOE



AMOF



CONFIGURATIONS

group explosionproof light fittings	E X L 4 0 0 L E D - 0 3 0 0 - E 1 - 3 - 3 E - - - - - ALU - PC - EXIT - - -	ZB	AMOA
type type 400		DA	AMOC
source of light LED modules			AMOE
approximate length ~ 300mm, 600mm, 1200mm, 1500mm			AMOF
LED module type			
LED modules quantity			
driving current			
power supply 34E - 220-240V, 50÷60Hz 35E - 220-240V, 0/50÷60Hz	4 30 10 M 20 5 40 20 P 25 50		
wiring 30 - single 3-pole terminal → <input type="text" value="3"/> 40 - single 4-pole terminal → <input type="text" value="4"/> 50 - single 5-pole terminal → <input type="text" value="5"/>			
cable inlets - quantity 10 - 1 cable inlet by the side of the housing → <input type="text" value="1"/> <input type="text" value="0"/> 20 - 2 cable inlet by the side of the housing → <input type="text" value="2"/> <input type="text" value="0"/>			
cable inlets - material M - metal P - plastic			
cable inlets - size 20 - Ø20 25 - Ø25			
housing material ALU - anodized aluminum			
diffuser material PC - polycarbonate			
evacuation versions EXIT - exit version with additional vertical pictogram plate. 3h autonomous power supply as a standard.			
emergency versions ZB - version compatible with central battery DA - version equipped with an integrated driver with DALI interface. Available only when ZB version is chosen.			
mounting			


 DOWNLOADS