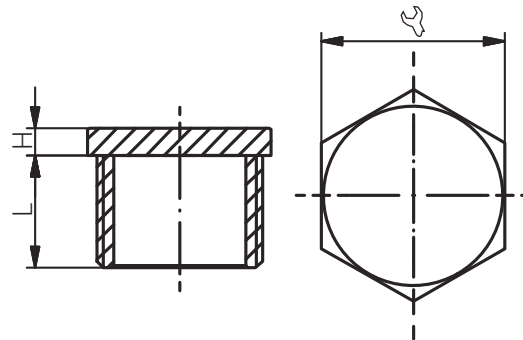


Material
Messing, blank; Messing, vernickelt;
Edelstahl 1.4404 (Weitere auf Anfrage)

Schutzart
IP66 / IP68

Material
Natural Brass; Nickel Plated Brass;
Stainless Steel 316L (Further on Request)

Protection Class
IP66 / IP68



Zubehör

Accessories

VERSCHLUSSSCHRAUBE

AUSSENSECHSKANT / M /

NPT

PLUG HEXAGON / M / NPT

Produktdokumentation

Product Documentation



RST Rabe-System-Technik und Vertriebs-GmbH
Otto-Lilienthal-Strasse 19
49134 Wallenhorst



DEUTSCHLAND

+49 5407 8766-0

+49 5407 8766-99

info@rst.eu

www.rst.eu

Artikelnummer RST Article Code RST	Hersteller- nummer Manufacturer Code	Artikel- nummer RST Article Code RST	Hersteller- nummer Manufacturer Code	Artikel- nummer RST Article Code RST	Hersteller- nummer Manufacturer Code	Hersteller Manufacturer	Gewinde Entry Thread		L (mm)	H (mm)	VPE PU	Zulassungen Approvals
Messing Brass	Messing Brass	Messing, vern. NP Brass	Messing, vern. NP Brass	Edelstahl Stainless Steel	Edelstahl Stainless Steel							
RX190120	CYA0400Y	RX190124	CYA0400YXN	RX190129	CYE0400Y		M12x1.5	14.0	15.0	3.5	lose / loose	ATEX / IECEx / EAC / NEPSI
RX190160	CYA1100Y	RX190164	CYA1100YXN	RX190169	CYE1100Y		M16x1.5	19.0	15.0	4.0	lose / loose	ATEX / IECEx / EAC / NEPSI / INMETRO
RX190200	CYA1200Y	RX190204	CYA1200YXN	RX190209	CYE1200Y		M20x1.5	24.0	15.0	4.0	lose / loose	ATEX / IECEx / EAC / cCSAus / INMETRO / NESPI
RX190250	CYA1300Y	RX190254	CYA1300YXN	RX190259	CYE1300Y		M25x1.5	28.0	15.0	4.0	lose / loose	ATEX / IECEx / EAC / cCSAus / INMETRO / NESPI
RX190320	CYA1400Y	RX190324	CYA1400YXN	RX190329	CYE1400Y		M32x1.5	37.5	15.0	4.0	lose / loose	ATEX / IECEx / EAC / cCSAus / INMETRO / NESPI
RX190400	CYA1500Y	RX190404	CYA1500YXN	RX190409	CYE1500Y		M40x1.5	47.0	15.0	5.0	lose / loose	ATEX / IECEx / EAC / cCSAus / INMETRO / NESPI
RX190500	CYA1600Y	RX190504	CYA1600YXN	RX190509	CYE1600Y		M50x1.5	56.0	15.0	6.0	lose / loose	ATEX / IECEx / EAC / cCSAus / INMETRO / NESPI
RX190630	CYA1700Y	RX190634	CYA1700YXN	RX190639	CYE1700Y		M63x1.5	70.0	15.0	7.0	lose / loose	ATEX / IECEx / EAC / cCSAus / INMETRO / NESPI
RX190750	CYA1800Y	RX190754	CYA1800YXN	RX190759	CYE1800Y		M75x1.5	80.0	15.0	8.0	lose / loose	ATEX / IECEx / EAC / cCSAus / INMETRO / NESPI
RX190500	CYA8000Y	RX190504	CYA8000YXN	RX190509	CYE8000Y		M80x2.0	90.0	20.0	9.0	lose / loose	ATEX / IECEx / EAC / cCSAus / INMETRO / NESPI
RX190630	CYA8100Y	RX190634	CYA8100YXN	RX190639	CYE8100Y		M90x2.0	95.0	20.0	10.0	lose / loose	ATEX / IECEx / EAC / cCSAus / INMETRO / NESPI
RX190750	CYA8200Y	RX190754	CYA8200YXN	RX190759	CYE8200Y		M100x2.0	105.0	20.0	11.0	lose / loose	ATEX / IECEx / EAC / cCSAus / INMETRO / NESPI

RX190190	CYA4000Y	RX190294	CYA4000YXN	RX190399	CYE4000Y		NPT 1/4"	16.0	15.5	4.0	lose / loose	ATEX / IECEx / EAC / cCSAus / INMETRO / NESPI
RX190290	CYA4100Y	RX190294	CYA4100YXN	RX190399	CYE4100Y		NPT 3/8"	19.0	15.5	4.0	lose / loose	ATEX / IECEx / EAC / cCSAus / INMETRO / NESPI
RX190390	CYA4200Y	RX190394	CYA4200YXN	RX190399	CYE4200Y		NPT 1/2"	23.4	20.2	4.0	lose / loose	ATEX / IECEx / EAC / cCSAus / INMETRO / NESPI
RX190490	CYA4300Y	RX190494	CYA4300YXN	RX190499	CYE4300Y		NPT 3/4"	27.9	20.5	4.0	lose / loose	ATEX / IECEx / EAC / cCSAus / INMETRO / NESPI
RX190590	CYA4400Y	RX190594	CYA4400YXN	RX190599	CYE4400Y		NPT 1"	37.6	25.3	4.0	lose / loose	ATEX / IECEx / EAC / cCSAus / INMETRO / NESPI
RX190690	CYA4500Y	RX190694	CYA4500YXN	RX190699	CYE4500Y		NPT 1 1/4"	47.2	26.0	4.5	lose / loose	ATEX / IECEx / EAC / cCSAus / INMETRO / NESPI
RX190790	CYA4600Y	RX190794	CYA4600YXN	RX190799	CYE4600Y		NPT 1 1/2"	56.0	26.5	5.5	lose / loose	ATEX / IECEx / EAC / cCSAus / INMETRO / NESPI
RX190890	CYA4700Y	RX190894	CYA4700YXN	RX190899	CYE4700Y		NPT 2"	70.0	27.2	7.0	lose / loose	ATEX / IECEx / EAC / cCSAus / INMETRO / NESPI
RX190990	CYA4800Y	RX190994	CYA4800YXN	RX190999	CYE4800Y		NPT 2 1/2"	80.0	40.5	8.0	lose / loose	ATEX / IECEx / EAC / cCSAus / INMETRO / NESPI
RX191090	CYA4900Y	RX191094	CYA4900YXN	RX191099	CYE4900Y		NPT 3"	95.0	42.0	10.0	lose / loose	ATEX / IECEx / EAC / cCSAus / INMETRO / NESPI
RX191190	CYA8600Y	RX191194	CYA8600YXN	RX191199	CYE8600Y		NPT 3 1/2"	105.0	43.2	11.0	lose / loose	ATEX / IECEx / EAC / cCSAus / INMETRO / NESPI
RX191290	CYA8700Y	RX191294	CYA8700YXN	RX191299	CYE8700Y		NPT 4"	120.0	44.5	12.0	lose / loose	ATEX / IECEx / EAC / cCSAus / INMETRO / NESPI

Weitere Gewindetypen auf Anfrage. / Further threadforms on request.
 Weitere Produkte des Herstellers auf Anfrage. / Further products of the manufacturer on request.