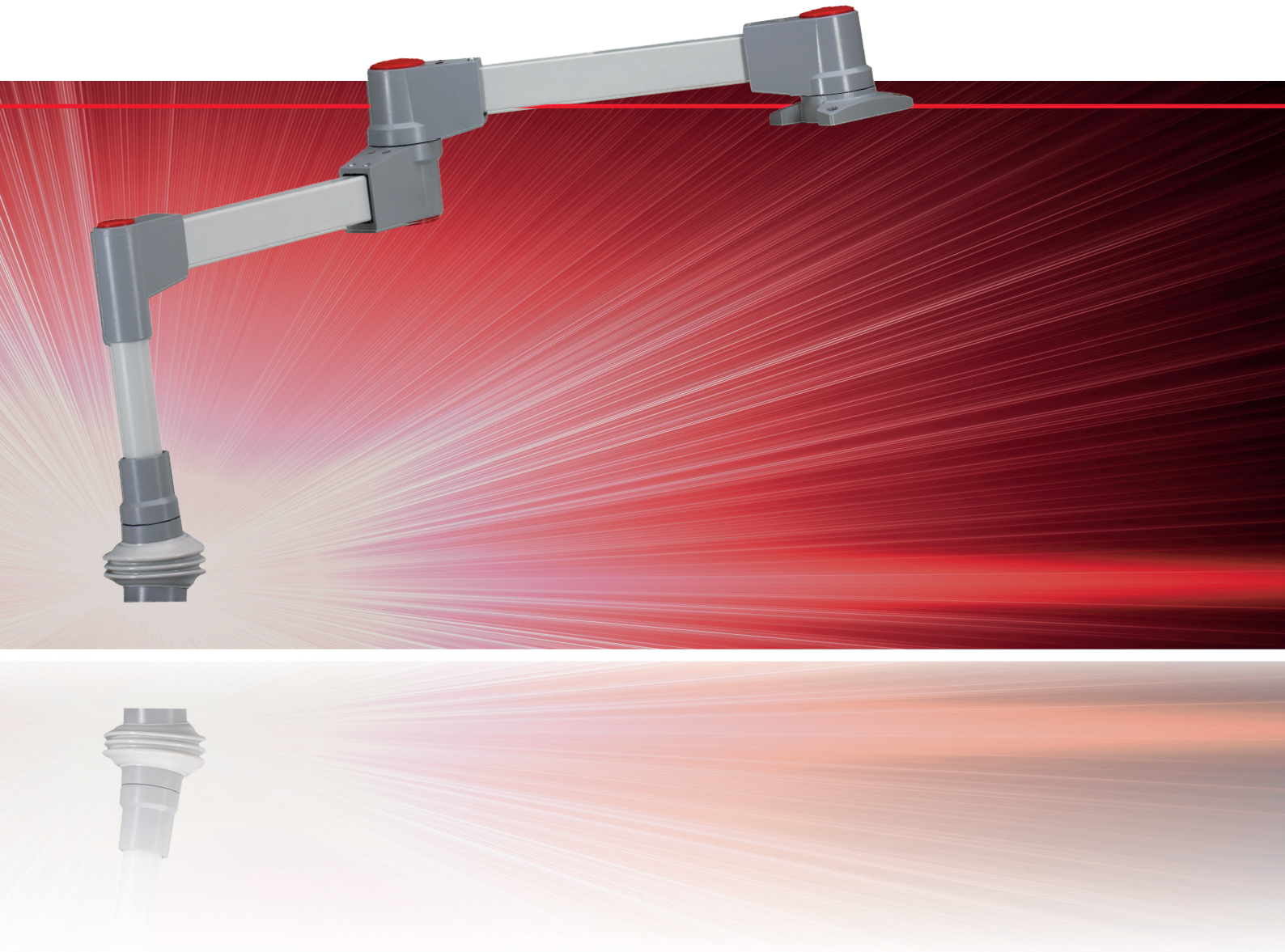




Our *passion* is enclosures.

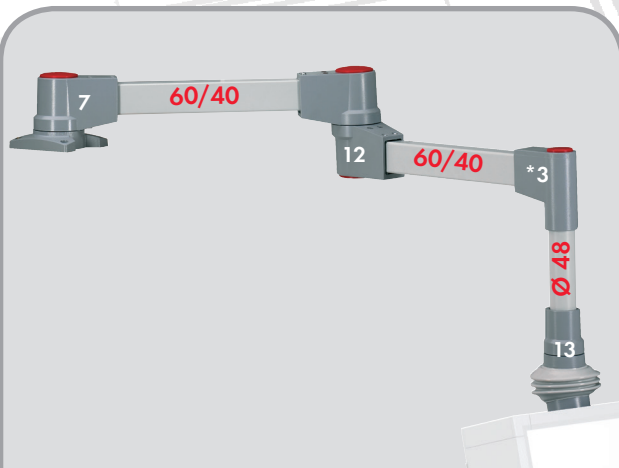


# taraPLUS

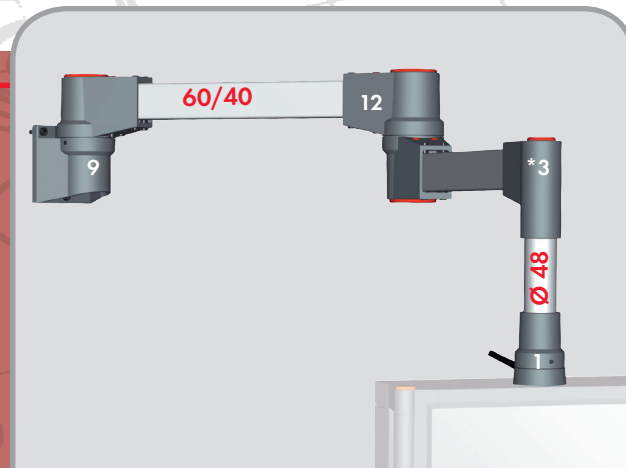
Variable suspension systems

# Technical data

## taraPLUS



taraPLUS socket joint, intermediate joint,  
elbow 48, inclination rotary coupling



taraPLUS wall joint, intermediate joint,  
elbow 48, rotary coupling



taraPLUS base 70 socket joint, elbow 48,  
inclination rotary coupling



taraPLUS base 48, inclination rotary coupling

**Material system elements:**  
Aluminium cast alloy (Al Si 12)

**Material tubes:** Steel, drawn

**Tubes:**  
Round Ø 48mm  
Round Ø 70mm  
Rectangular 60/40mm  
Square 50mm

**Bellows:** RAL 7035, light grey

**Ring tapping screws:** Steel, galvanised

**Type of protection:** IP54 / EN 60529

**System element surface:** Powder coating RAL 7040,  
window grey

**Tube surface:** Powder coating RAL 7035, light grey

**Optional:**

**Control enclosure:** aluFACE, staKOM, topVISION and multiVISION

**Surface:** System element special colours  
Tube special colours

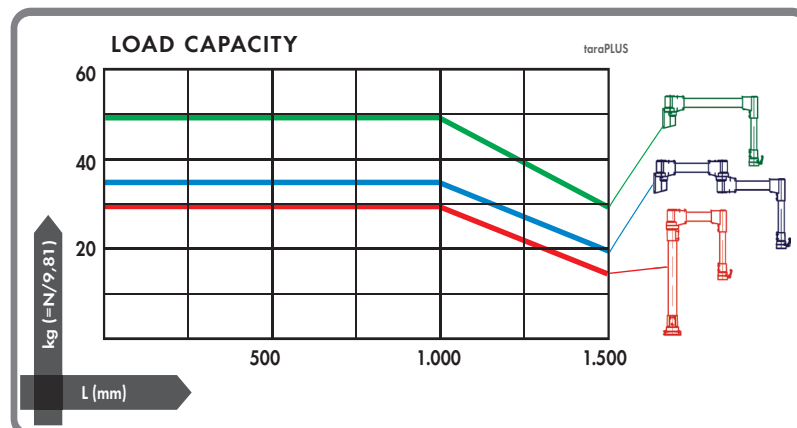
taraPLUS system elements:

	RAL 7040 ROLEC Mat. no.	RAL 7031 BECKHOFF Mat. no.	Baseard type	g	
1	149.025.500	1	149.025.510	Rotary coupling, hanging	480
1a	149.025.501	1a	149.025.511	Rotary coupling, standing	480
2	149.035.000	2	149.035.010	Elbow rotary coupling	1.100
*3	149.020.000	*3	149.020.010	Elbow 48	800
4	149.020.001	4	149.020.011	Elbow 70	1.800
5	149.030.000	5	149.030.010	Base 48	700
6	149.030.001	6	149.030.011	Base 70	1.150
7	149.005.000	7	149.005.010	Socket joint	2.450
8	149.005.001	8	149.005.011	Socket joint vertical	1.700
9	149.010.000	9	149.010.010	Wall joint	2.750
10	149.010.001	10	149.010.011	Wall joint vertical	2.000
11	149.040.000	11	149.040.010	Tube rotation joint	2.300
12	149.015.000	12	149.015.010	Intermediate joint	3.000
13	149.025.001	13	149.025.011	Inclination rotary coupling	1.350
14	149.035.001	14	149.035.011	Inclination elbow rotary coupling	1.800
15	149.025.002	15	149.025.012	Console rotary coupling	1.050
16	149.025.003	16	149.025.013	Console inclination rotary coupling	2.150
17	149.025.004	17	149.025.014	Console inclination rotary coupling, hanging	2.150
18	149.035.002	18	149.035.012	Console elbow coupling	1.500
19	149.035.003	19	149.035.013	Console inclination elbow rotary coupling	2.600
20	149.035.005	20	149.035.015	Console inclination elbow rotary coupling, hanging	2.600
28	149.045.000	28	149.045.010	Wall inclination coupling	3.500

Figure no. on the following pages

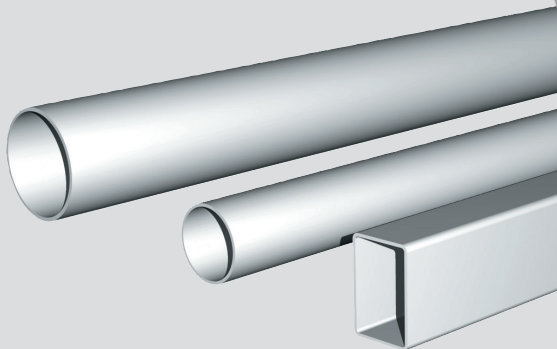
\*3 Elbow 48 (Fig3/item 3) only to enclosure connection on horizontal square section tube 60/40 mm!

Approvals:



# Technical data

## taraPLUS



Round tube  $\text{Ø}70/\text{Ø}48$   
Rectangular tube 60/40



Special tube  $\text{Ø}48$  for Beckhoff PC



Increased stability due to combination  
of taraPLUS and QUADRO 50

### Material system elements:

Aluminium cast alloy (Al Si 12)  
Spheroidal graphite (GGG40)

**Material tubes:** Steel, drawn

### Tubes:

Round  $\text{Ø} 48\text{mm}$   
Round  $\text{Ø} 70\text{mm}$   
Rectangular 60/40mm  
Square 50mm

**Bellows:** RAL 7035, light grey

**Ring tapping screws:** Steel, galvanised

**Type of protection:** IP54 / EN 60529

**System element surface:** Powder coating RAL 7040,  
window grey

**Tube surface:** Powder coating RAL 7035, light grey

### Optional:

**Control enclosure:** aluFACE, staKOM, topVISION and multiVISION

### Surface:

System element special colours  
Tube special colours



taraPLUS system elements:					
RAL 7040 ROLEC Mat. no.		RAL 7031 BECKHOFF Mat. no.		Baseard type	g
27	149.021.000	27	149.021.010	taraPLUS/QUADRO 50 elbow	1.480
RAL 7040 ROLEC Mat. no.		RAL 7031 BECKHOFF Mat. no.		Special type for BECKHOFF-PCs	g
22	146.025.008	22	146.025.011	Rotary coupling (4xM6)	300
23	146.025.024	23	146.025.016	Rotary coupling (4x5.3)	250
24	146.010.114	24	146.010.112	Rear wall adapter	900
25	146.025.009	25	146.025.019	Support arm adapter	500
RAL 7035 ROLEC Mat. no.		RAL 9006 BECKHOFF Mat. no.		Tubes	g
21	144.300.250	*26	144.330.250	Round tube 48 - 0.25 m	900
21	144.300.500	*26	144.330.500	Round tube 48 - 0.50 m	1.800
21	144.300.750	*26	144.330.750	Round tube 48 - 0.75 m	2.700
21	144.301.000	*26	144.331.000	Round tube 48 - 1.00 m	3.600
21	144.320.250	21	144.340.250	Round tube 70 - 0.25 m	1.750
21	144.320.500	21	144.340.500	Round tube 70 - 0.50 m	3.450
21	144.321.000	21	144.341.000	Round tube 70 - 1.00 m	6.900
21	144.321.500	21	144.341.500	Round tube 70 - 1.50 m	10.300
21	144.322.000	21	144.342.000	Round tube 70 - 2.00 m	13.800
21	144.310.500	21	144.350.500	Rectangular tube 60/40 - 0.50 m	2.150
21	144.310.750	21	144.350.750	Rectangular tube 60/40 - 0.75 m	3.200
21	144.311.000	21	144.351.000	Rectangular tube 60/40 - 1.00 m	4.300
21	144.311.500	21	144.351.500	Rectangular tube 60/40 - 1.50 m	6.400

Figure no. on the following pages

\*26 Round tube 48 (Fig26/Page 222) BECKHOFF special type

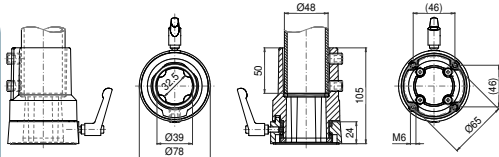
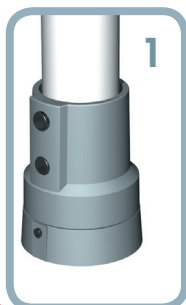
# ROLEC Function and dimensions of the system elements

## taraPLUS

### Rotary coupling

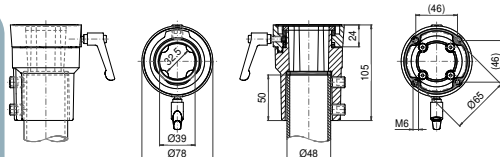
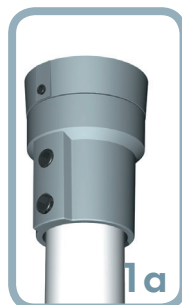
149.025.500

149.025.501



300°

480 g

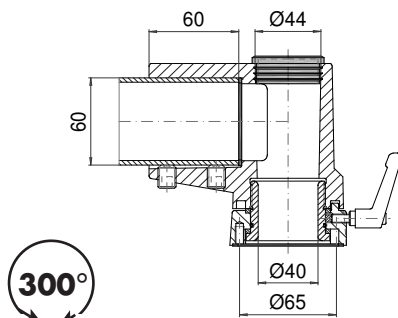
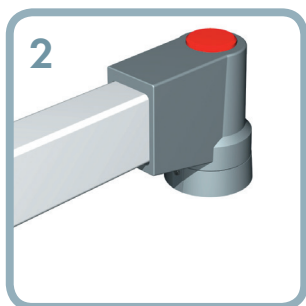


300°

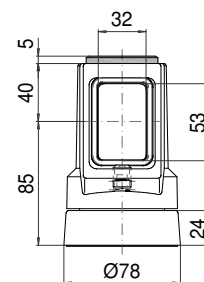
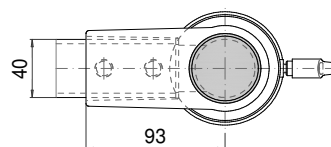
480 g

### Elbow rotary coupling

149.035.000



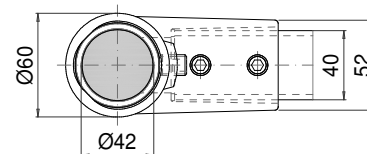
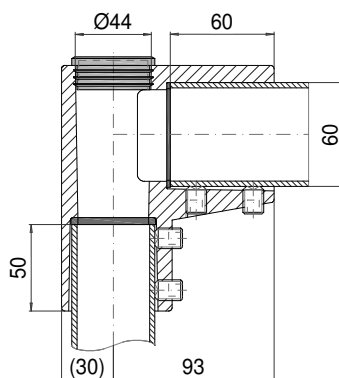
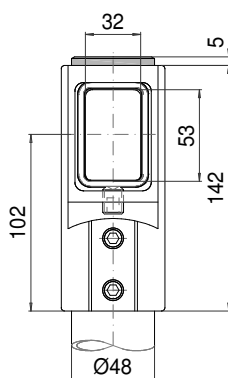
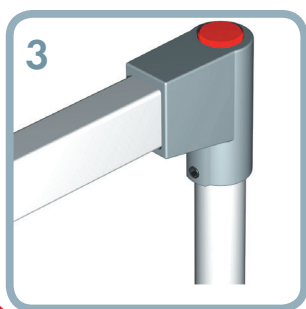
300°



1.100 g

### Elbow 48

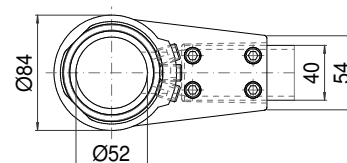
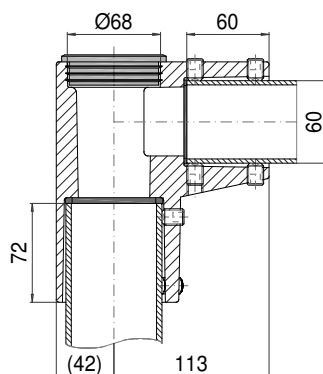
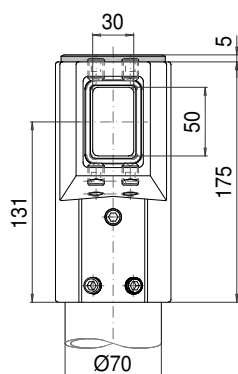
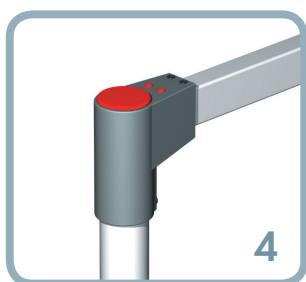
149.020.000



800 g

### Elbow 70

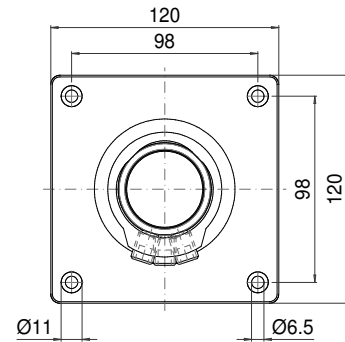
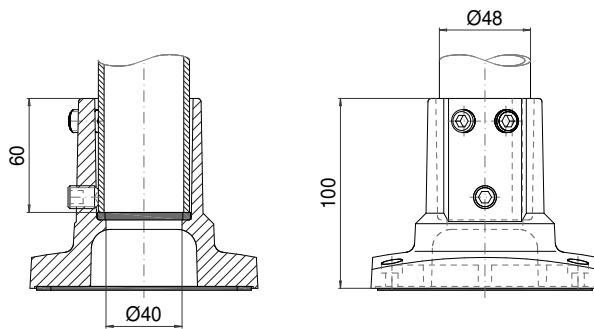
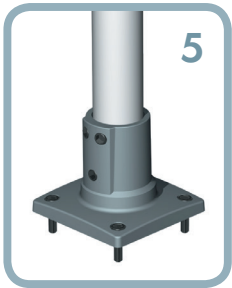
149.020.001



1.800 g

**Base 48**

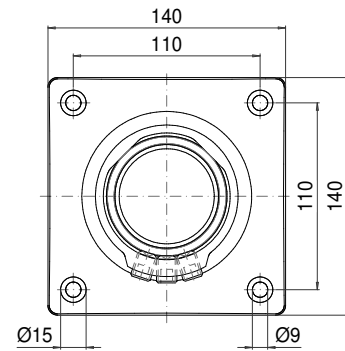
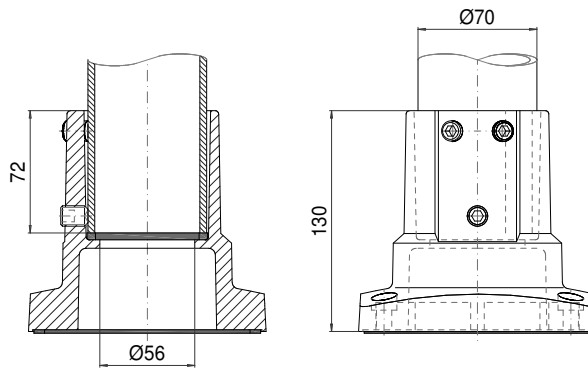
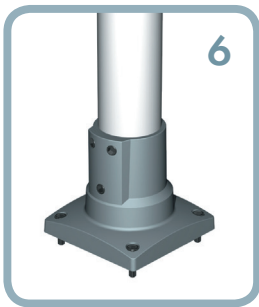
149.030.000



700 g

**Base 70**

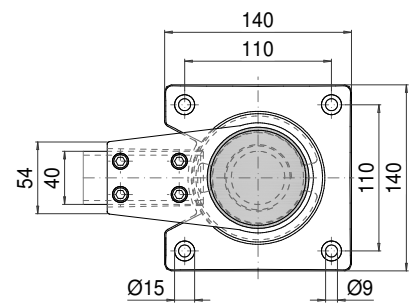
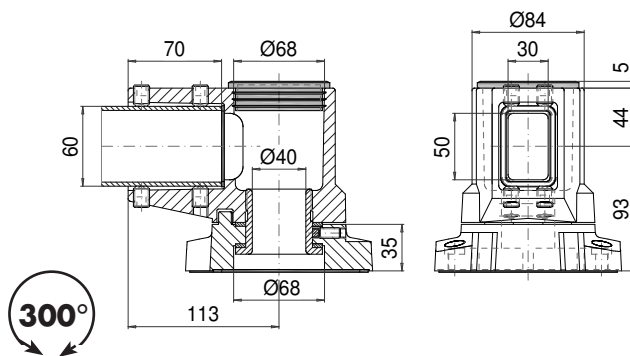
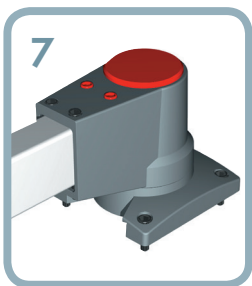
149.030.001



1.150 g

**Socket joint**

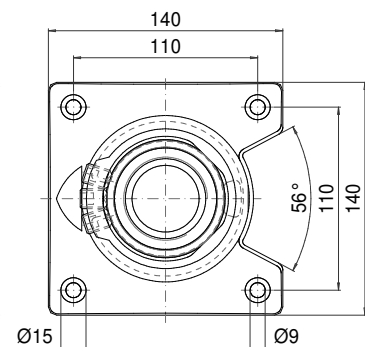
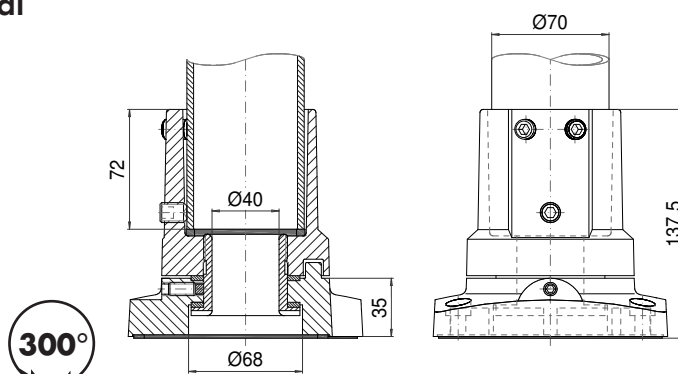
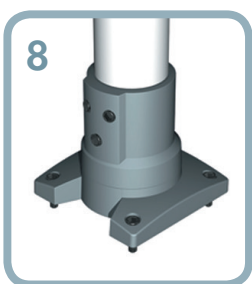
149.005.000



2.450 g

**Socket joint vertical**

149.005.001

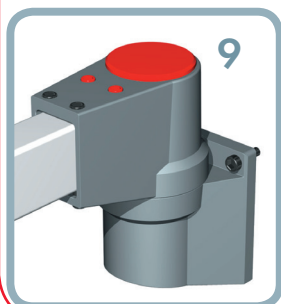


1.700 g

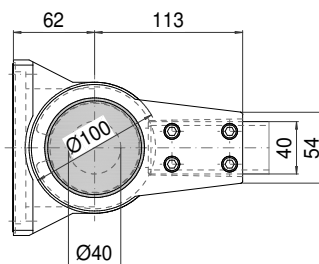
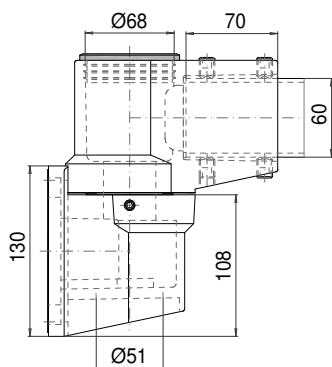
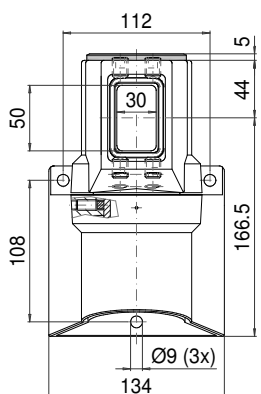
# ROLEC Function and dimensions of the system elements

## taraPLUS

Wall joint



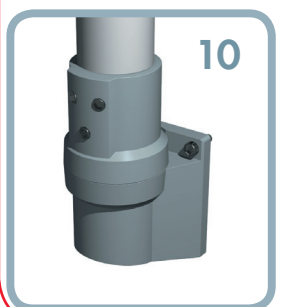
186°



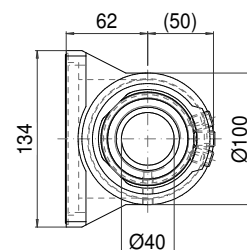
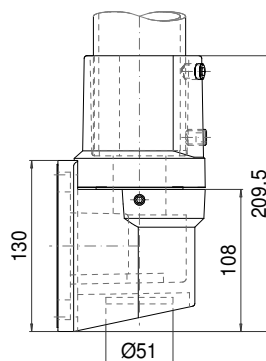
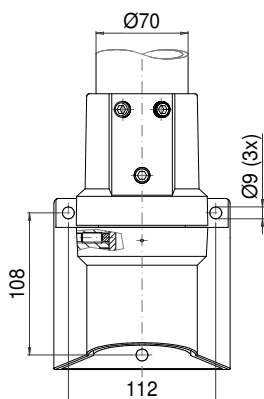
149.010.000

2.750 g

Wall joint vertical



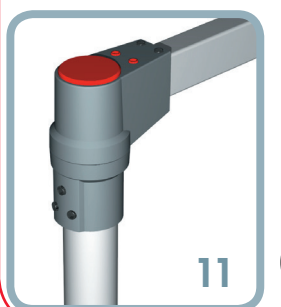
316°



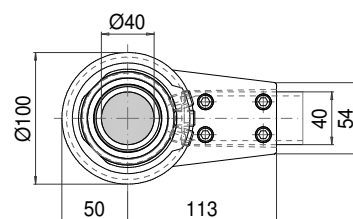
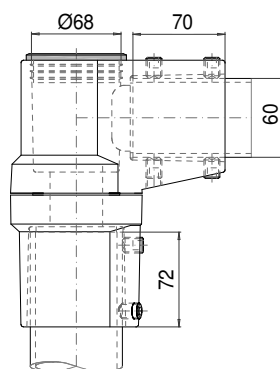
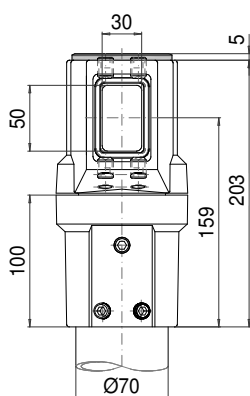
149.010.001

2.000 g

Tube rotation joint



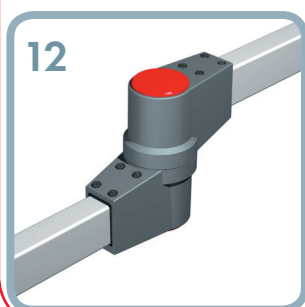
300°



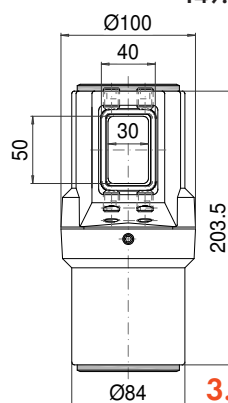
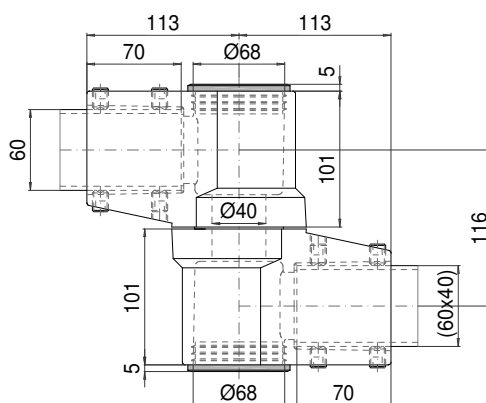
149.040.000

2.300 g

Intermediate joint



300°



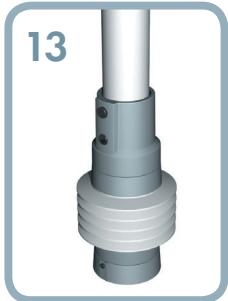
149.015.000

3.000 g

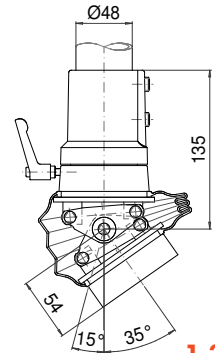
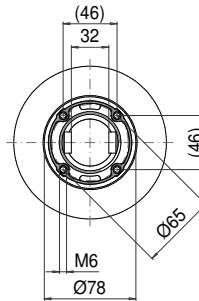
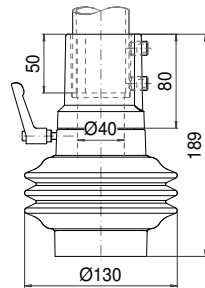


### Inclination rotary coupling

149.025.001



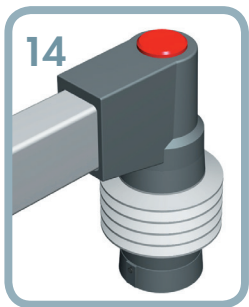
13



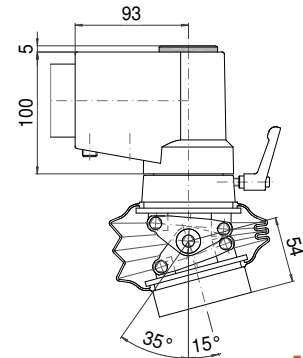
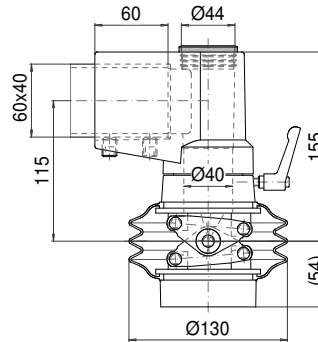
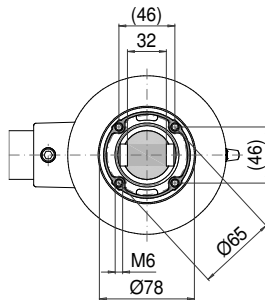
1.350 g

### Inclination elbow rotary coupling

149.035.001



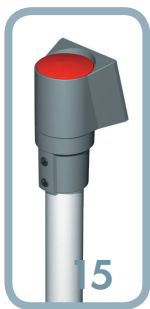
14



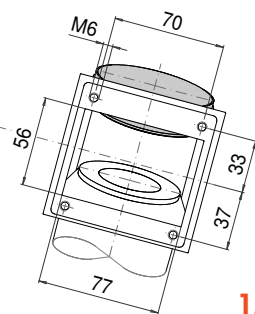
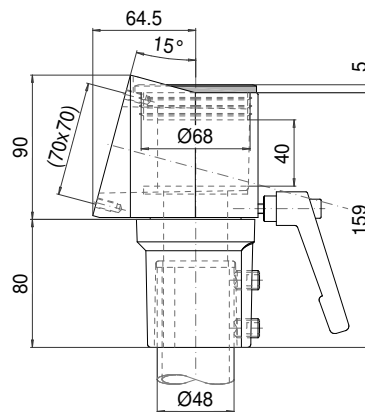
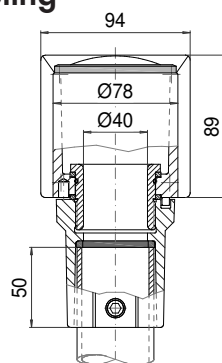
1.800 g

### Console rotary coupling

149.025.002



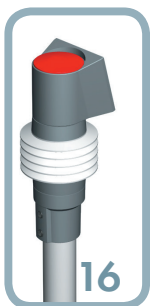
5



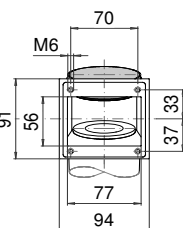
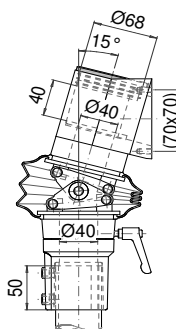
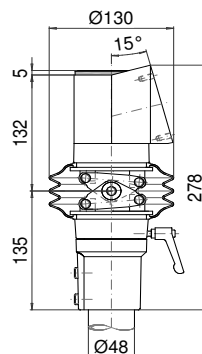
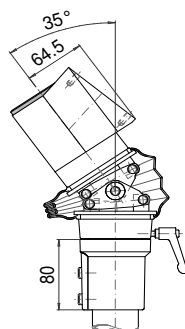
1.050 g

### Console inclination rotary coupling

149.025.003



16



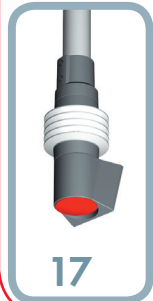
2.150 g

# ROLEC Function and dimensions of the system elements

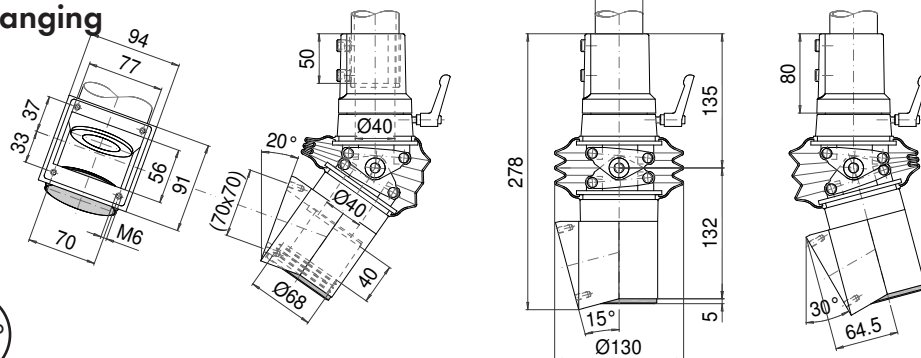
## taraPLUS

Console inclination rotary coupling, hanging

149.025.004



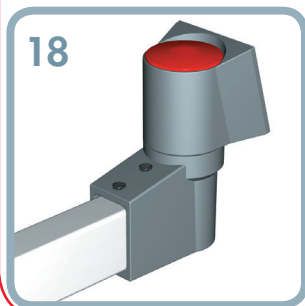
300°



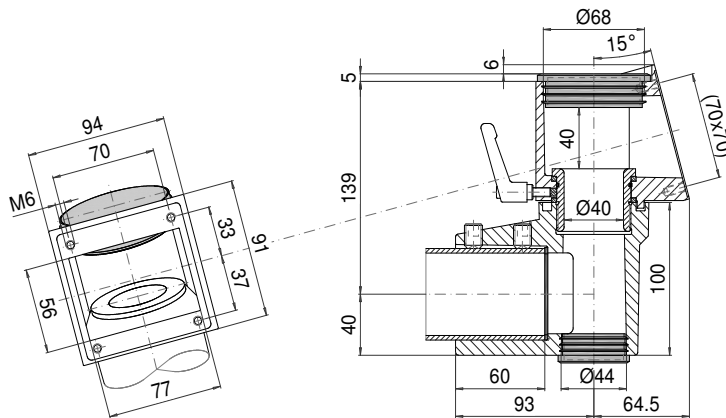
2.150 g

Console elbow coupling

149.035.002



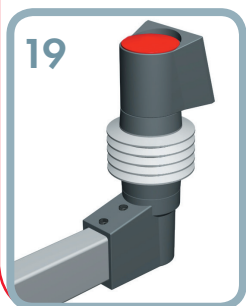
300°



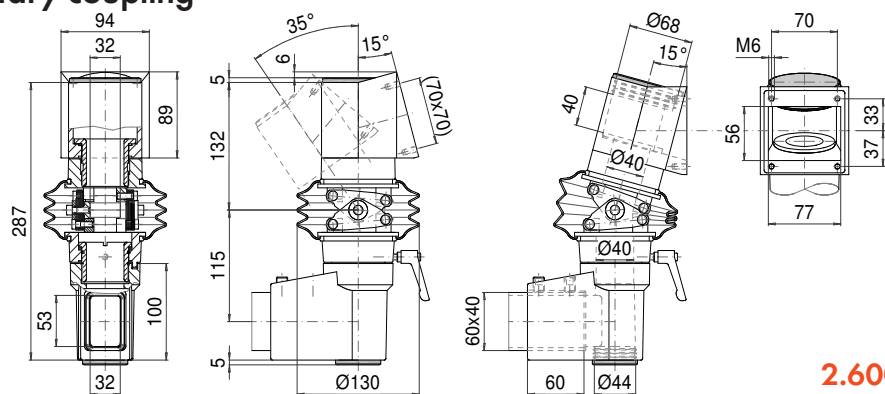
1.500 g

Console inclination elbow rotary coupling

149.035.003



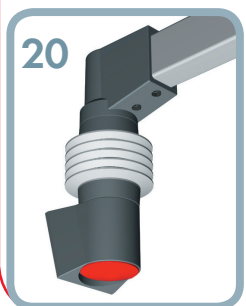
300°



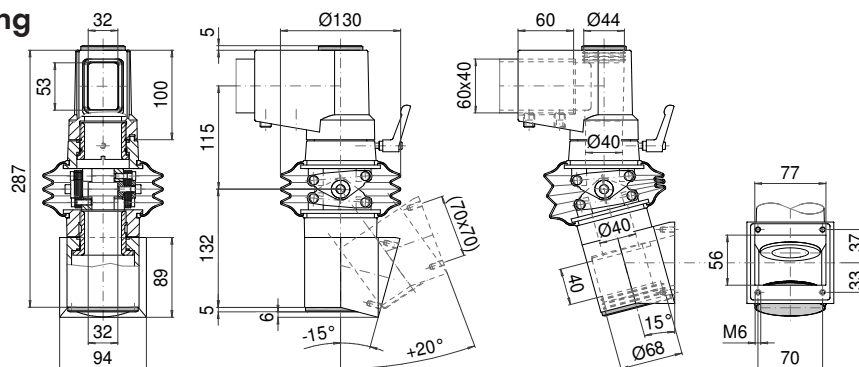
2.600 g

Console inclination elbow rotary coupling, hanging

149.035.005



300°



2.600 g

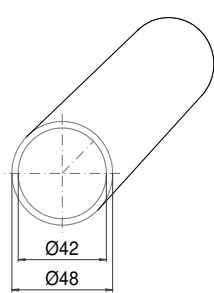
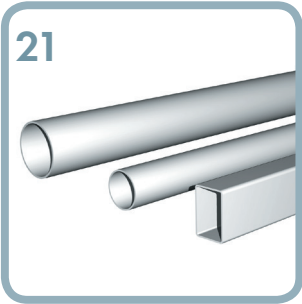
**Tubes**

144.30x.xxx

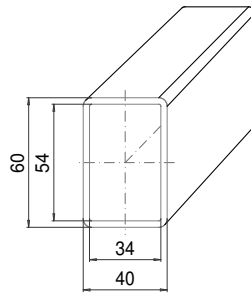
144.31x.xxx

144.32x.xxx

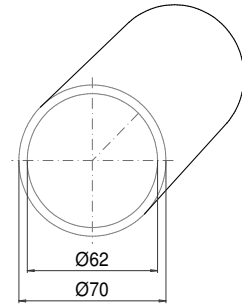
21



1,00 m = 3.600 g



1,00 m = 4.300 g

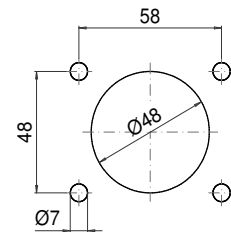
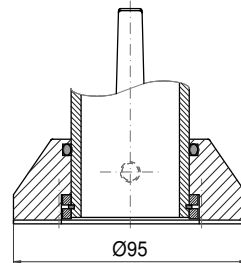
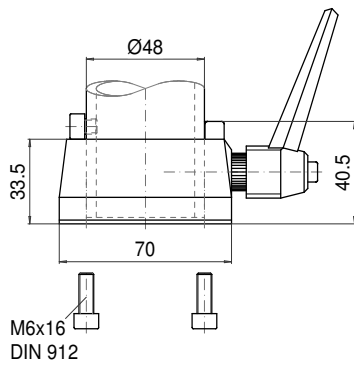


1,00 m = 6.900 g

**Rotary coupling**

146.025.008

22

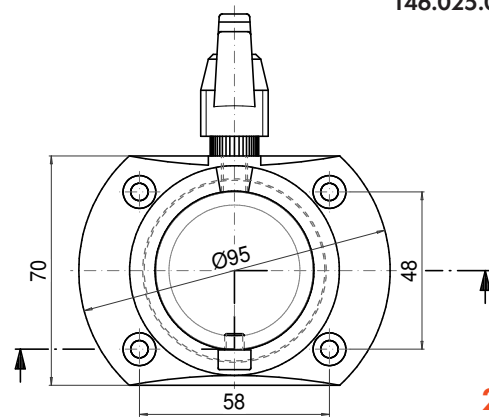
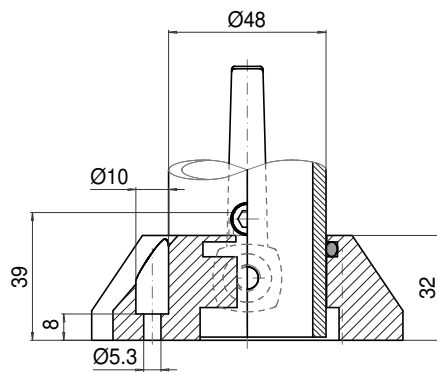


300 g

**Rotary coupling**

146.025.024

23

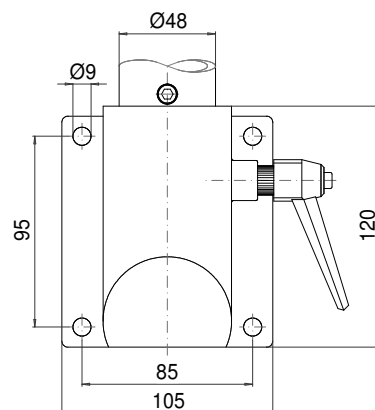
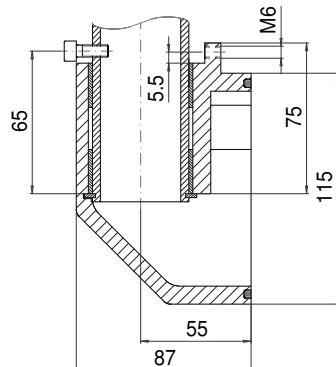


250 g

**Back panel adaptor**

146.010.114

24



900 g

# ROLEC Function and dimensions of the system elements

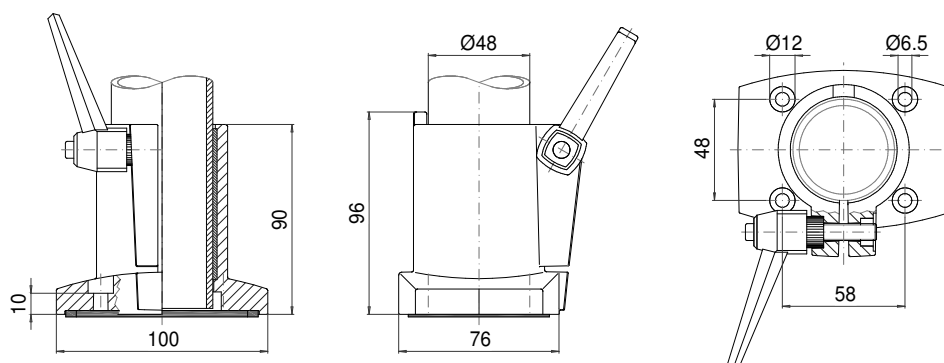
## taraPLUS

Support arm adaptor

146.025.009



25



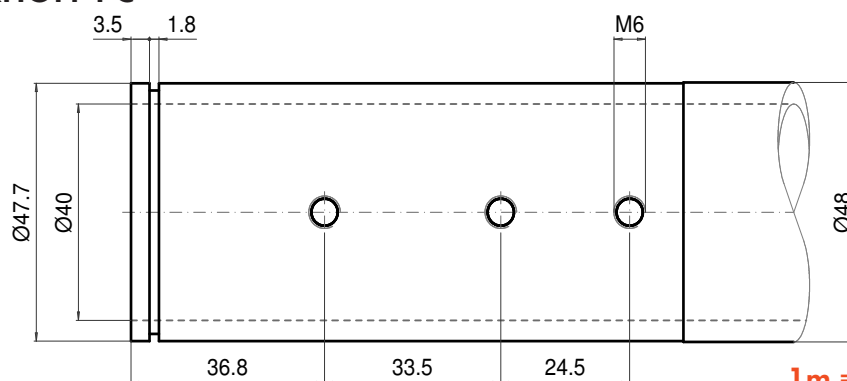
500 g

Special tube Ø48 for BECKHOFF-PC

144.33x.xxx



26



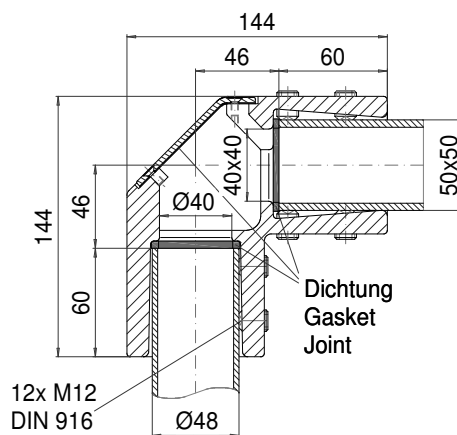
1 m = 3.600 g

taraPLUS/QUADRO 50 elbow

149.021.000



27



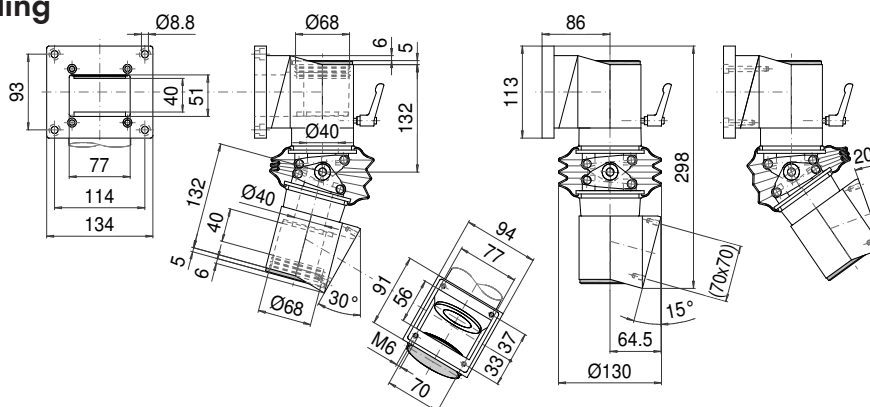
1.480 g

Wall inclination coupling

149.045.000



28



3.500 g