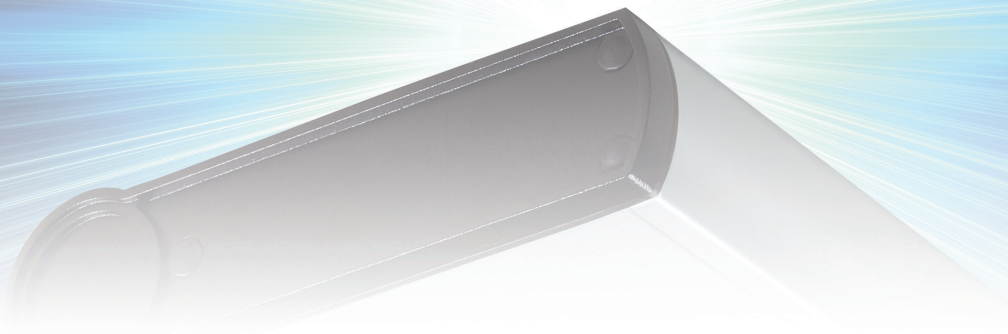
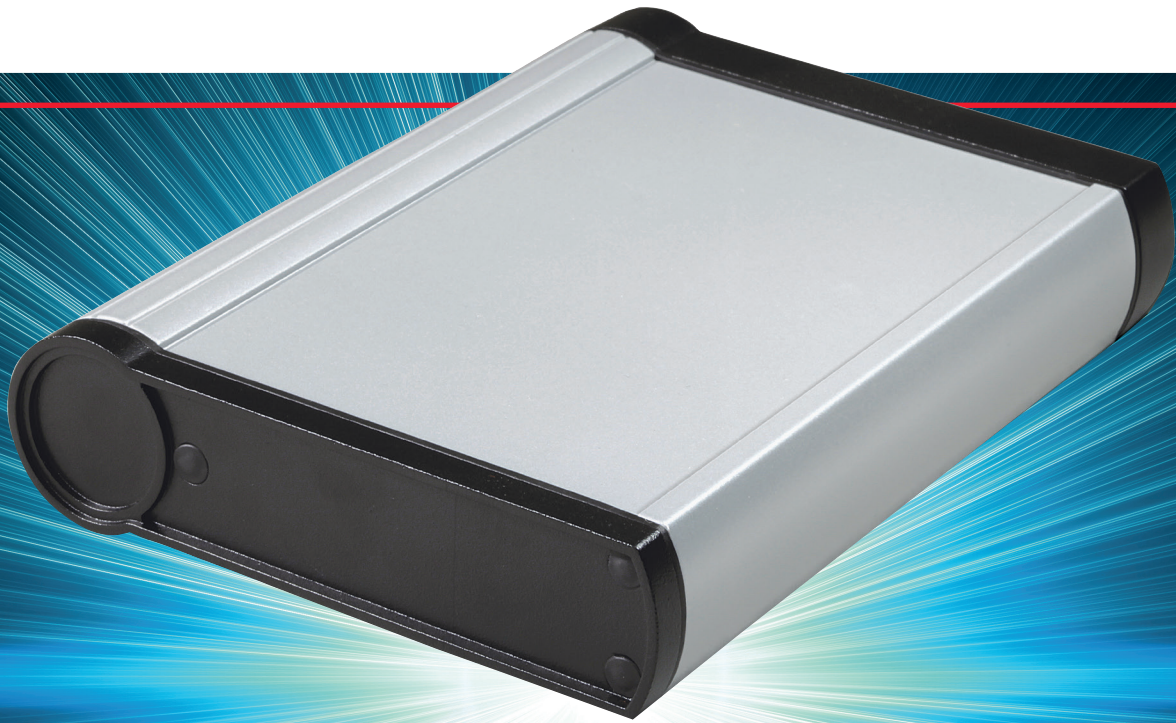




Our *passion* is enclosures.



mobilCASE

Mobile control enclosures made of aluminium profiles

For ease of work in industry, the lab, medical technology, logistics, etc.



Clip holder for setting down mobile devices at the wall or machine



Support infinitely variable setting incl. closing lid, flat



Desk version: Combination of 2 profiles, also such with different sections



Articulated wall/desk fixation

mobilCASE - the new ROLEC enclosure generation

from aluminium. Autonomous due to inherent energy supply. Ideal for mobile use. But not just that! Three different widths. Dust and water-tight. Due to the profile construction the length of the enclosure can be varied as required. Robust end caps from TPE protect interfaces in mobile field applications. Shoulder carry straps ease continuous work. When used on a tabletop, two enclosures of varying widths can also be combined by means of an adapter.

Human and efficiency factor:

The ergonomics. An infinitely variable adjustment option enables setting the suitable viewing angle. Pivoting wall bracket or clip holder for stationary use on machines or on lab tables. For transportation in a measuring device case or with console applications: Variant with support.



Mobile control enclosure made of aluminium according to the addedVALUE principle



Batteryholder for 2 or 4 Mignons



Shoulder strap with protective caps for mobile use



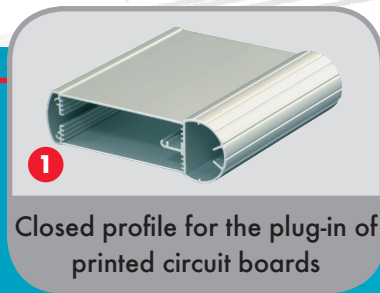
L = mm according customer request

"Due to its modern and ergonomic design, mobilCASE is setting new benchmarks in profile enclosures."

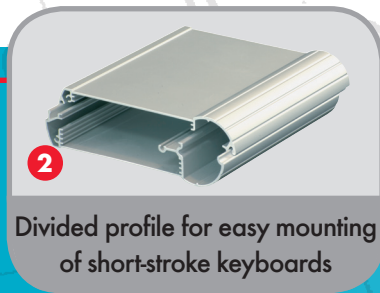


Technical data

mobilCASE



Closed profile for the plug-in of printed circuit boards



Divided profile for easy mounting of short-stroke keyboards



Closing lid flat



End cover with collar to take plug sockets



Desk version: Combination of 2 profiles



Shoulder strap with protective caps for mobile utilisation



Wall/desk fixation, articulated



Stand up shackle with continuous setting, including flat lid



Support infinitely variable setting incl. end cover with collar



Clip holder for setting down device at wall or machine



Accumulator holders for 2 or 4 mignon cells R6 DIN 40863



Adapter with cable gland M16

Enclosure: Extruded aluminium pressed profile AL Mg Si 0.5 / DIN 17615 with 2 variants of the closing lid, die-cast zinc alloy GD-Zn Al 4 Cu 1 / DIN EN 12844

Integrated recess: In the profile for front membranes and membrane keypads

Ingress Protection:

Profile 1-part IP65 / EN 60529

Profile 2-part IP54 / EN 60529

Wall/desk version and support IP54 / EN 60529

Lid gasket: TPE moulded gasket, silicone-free (-30°C to +100°C)

Profile gasket: Chloroprene (CR) gasket (-30°C to +90°C)

Lid screws: Stainless steel 1.4567 (V2A)

Closing lid surface: Power coating, RAL 9005, deep black

Profile surface: Power coating, silver metallic

Optionally available:

Protection kit (PK): TPE material

Wallholder (WH): Polyamide (plastic)

Clip holder (CH): Polyamide (plastic)

Surface: Special colours

Further options, see delivery overview.

Delivery overview mobilCASE

Type	Mat. no.	W	L	P
Profile P 80-1	250.080.120	118	120	80
Profile P 80-1	250.080.160	118	160	80
Profile P 100-1	250.100.160	138	160	100
Profile P 100-1	250.100.200	138	200	100
Profile P 130-1	250.130.180	168	180	130
Profile P 130-1	250.130.240	168	240	130

Type	Mat. no.	Sizes
Set DF 80	580.080.000	80
Set DF 100	580.100.000	100
Set DF 130	580.130.000	130

Set DK 80	581.080.000	80
Set DK 100	581.100.000	100
Set DK 130	581.130.000	130

Type	Mat. no.	Connection
Set PG 80-80	588.080.080	Sizes 80+80
Set PG 80-100	588.080.100	Sizes 80+100
Set PG 80-130	588.080.130	Sizes 80+130
Set PG 100-100	588.100.100	Sizes 100+100
Set PG 100-130	588.100.130	Sizes 100+130
Set PG 130-130	588.130.130	Sizes 130+130

Type	Mat. no.	Sizes
Set PK 80	583.080.000	80
Set PK 100	583.100.000	100
Set PK 130	583.130.000	130

Type	Mat. no.	W	L	P
Profile P 80-2	251.080.120	118	120	80
Profile P 80-2	251.080.160	118	160	80
Profile P 100-2	251.100.160	138	160	100
Profile P 100-2	251.100.200	138	200	100
Profile P 130-2	251.130.180	168	180	130
Profile P 130-2	251.130.240	168	240	130

Type	Mat. no.	Sizes
Set WH 80	589.080.000	80
Set WH 100	589.100.000	100
Set WH 130	589.130.000	130

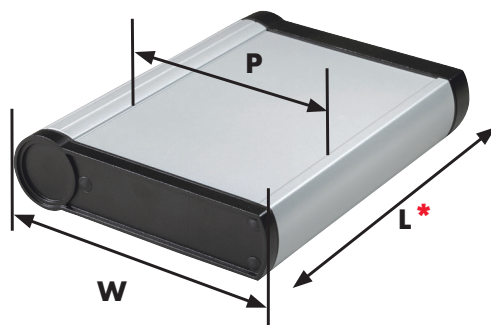
Set ABF 80	589.080.100	80
Set ABF 100	589.100.100	100
Set ABF 130	589.130.100	130
Set ABK 80	589.080.200	80
Set ABK 100	589.100.200	100
Set ABK 130	589.130.200	130

Set CH	584.000.000	all sizes
--------	-------------	-----------

AH 2	584.002.000	all sizes
AH 4	584.004.000	all sizes
Adaptor with cable gland M16	585.000.000	all sizes

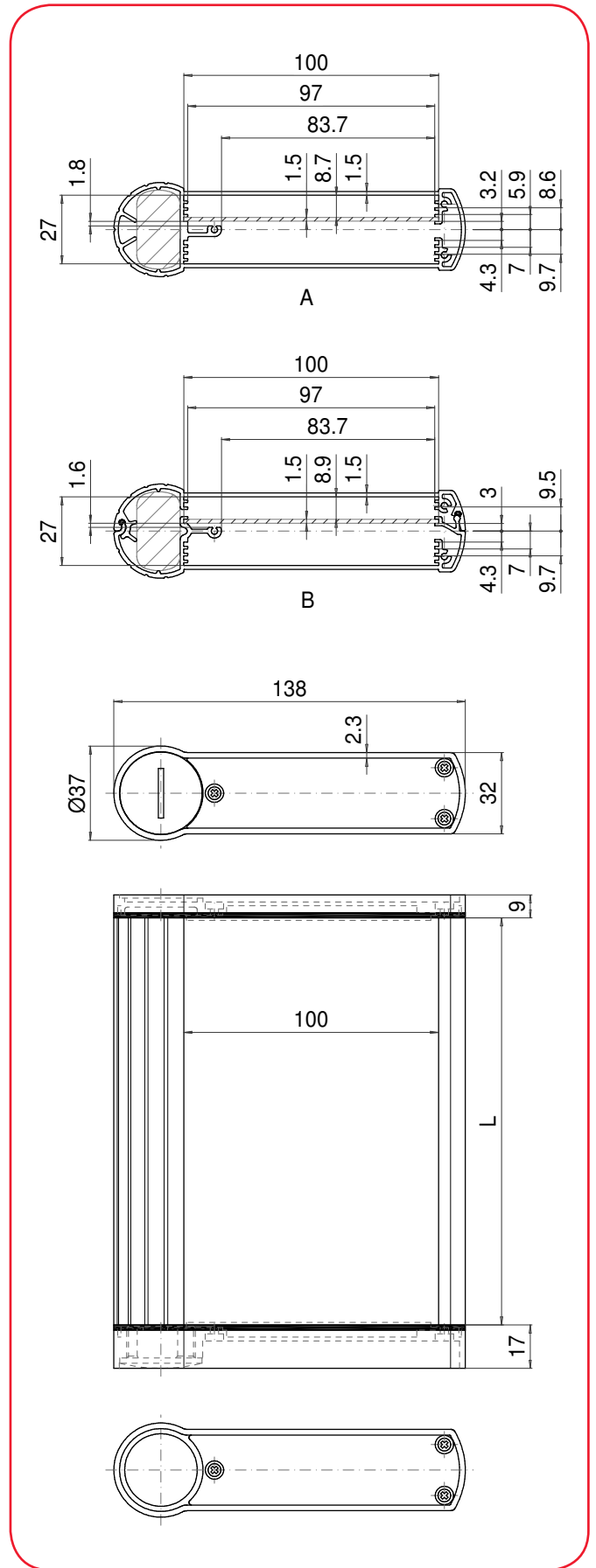
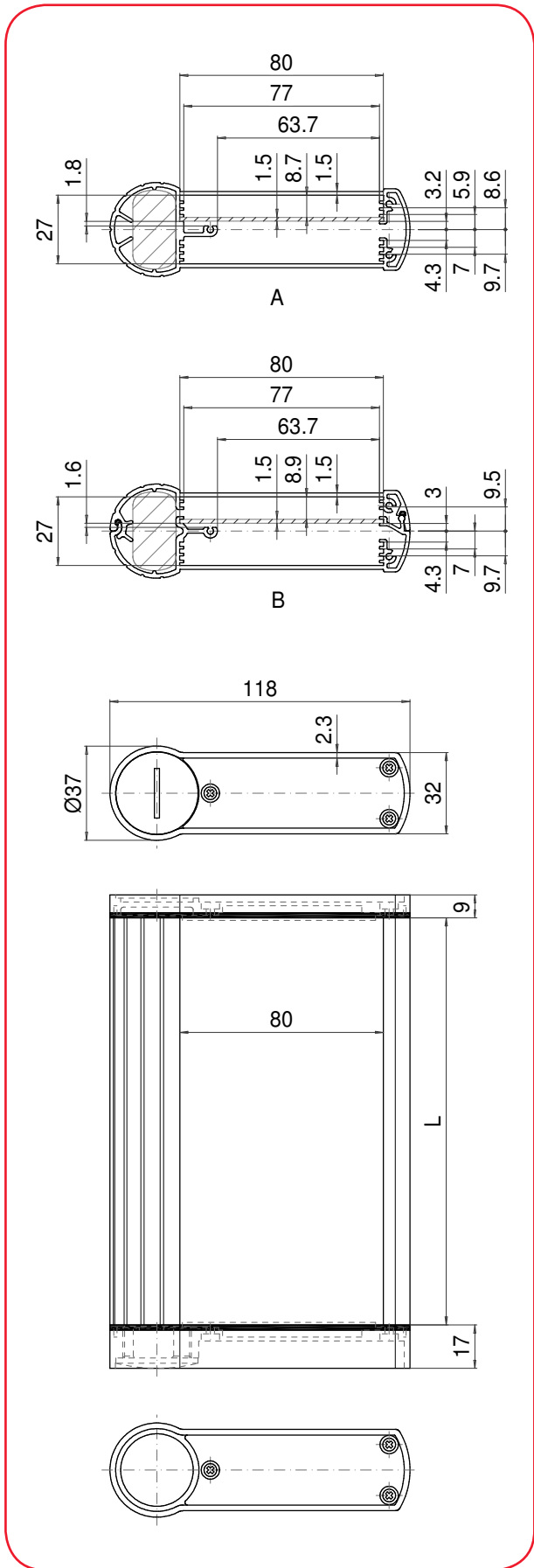
* L = mm according customer request

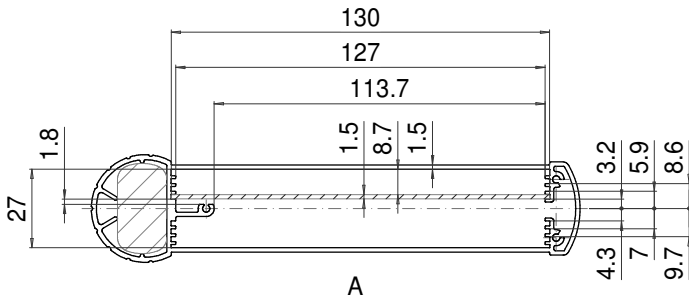
Approvals:



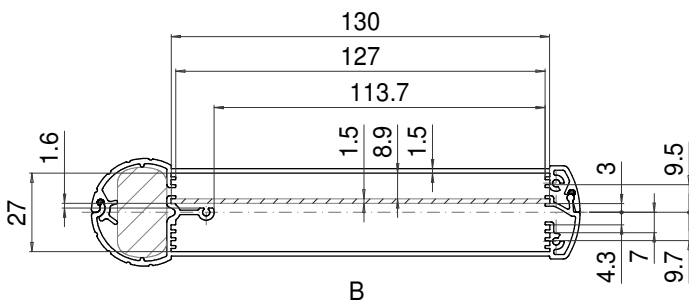
ROLEC Attachment and assembly dimensions

mobilCASE

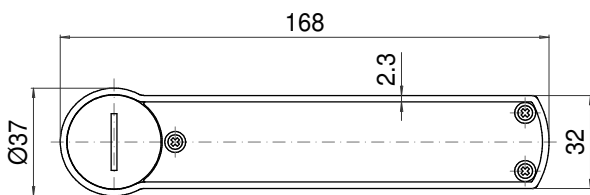




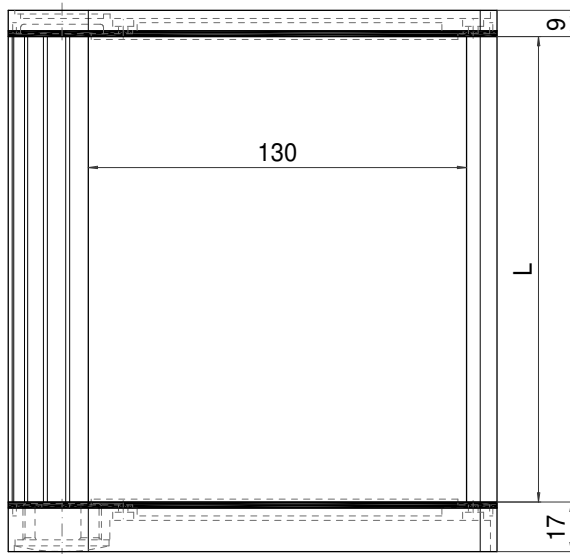
Closed profile version
P 080/100/130 - 1



Divided profile version
P 080/100/130 - 2



Lid with collar
Total height 17 mm incl. gasket



Dimensions for front membrane:
L - 0.4 mm max.
80/100/130 - 0.6 mm max.



Flat lid

