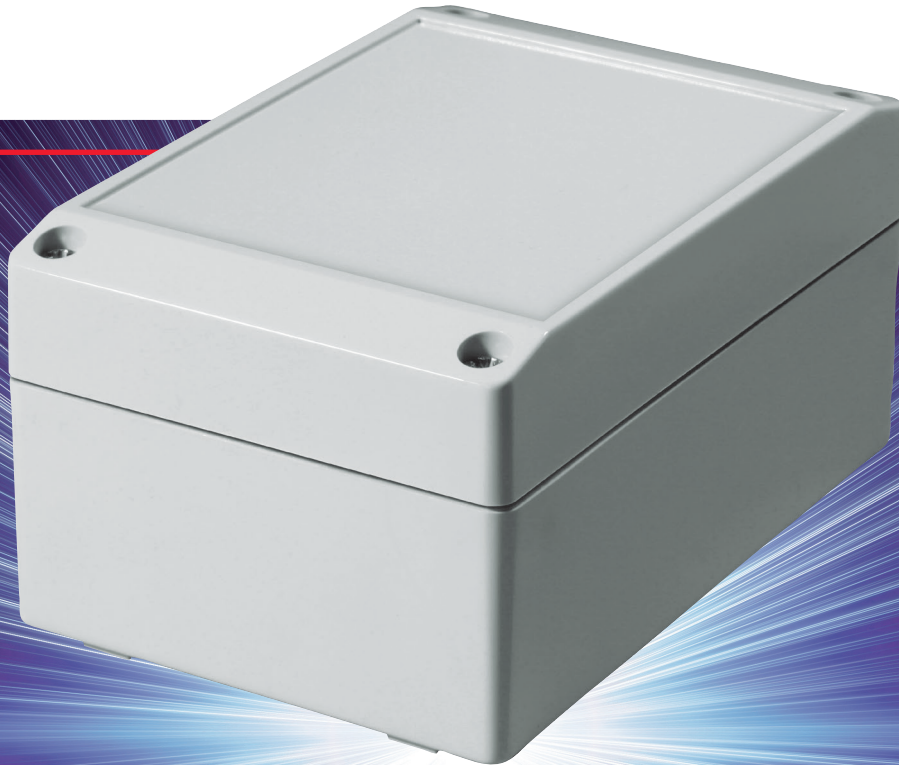




Our *passion* is enclosures.



technoBOX

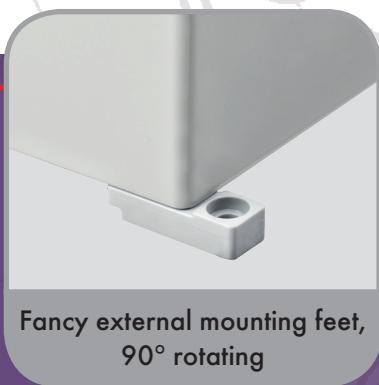
Standard enclosures made of ABS

Technical data

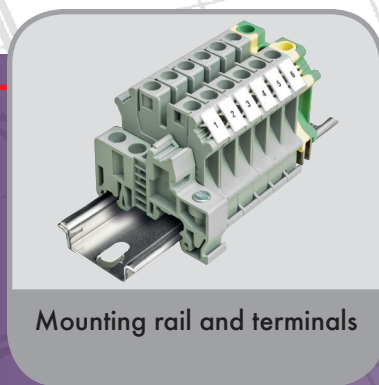
technoBOX



External hinges



Fancy external mounting feet,
90° rotating



Mounting rail and terminals



Alternative design due to
slanted lid edges



Mounting plate



Integrated recess for
membrane keypads



Front plate

Enclosure: Thermoplastic ABS, halogen-free, 1° mould slope for casting ejection, internal measures diminishing circulatory towards enclosure bottom by 1°.

Flammability: UL 94 HB

Integrated recess: In the lid for membrane keypad or front plates

Components: Fastening dome for self-tapping screws in the lower and upper section.

Ingress protection: IP66 / EN 60529

Gasket: Chloroprene (CR), gasket (-30°C to +90°C)

Lid screws: Stainless steel 1.4567 (V2A), captive

Surface: RAL 7035, light grey

Optionally available:

Gasket: EMC gasket (-55°C to +160°C)

EMC screen: Aluminium coating 2.5µm

Surface: Special material on request

Further options, see delivery overview.

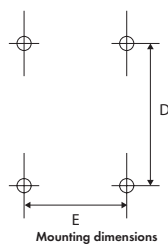
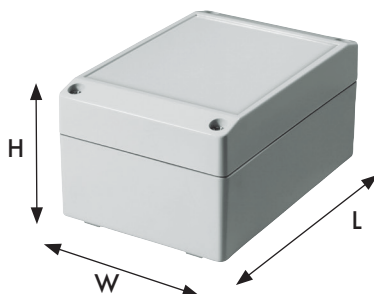
Delivery overview technoBOX

Type	Mat.-Nr.	L	W	H	D	E	g	M*	T	F*	A	S	EMV
TBA 060	220.060.000	66	51	35	53	38	50	○	●	○	●	○	●
TBA 080	220.080.000	83	81	60	70	50	170	●	●	●	●	●	●
TBA 082	220.082.000	121	81	60	108	50	220	●	●	●	●	●	●
TBA 084	220.084.000	161	81	60	148	50	220	●	●	●	●	●	●
TBA 102	220.102.000	151	101	60	138	70	230	●	●	●	●	●	●
TBA 104	220.104.000	201	101	60	188	70	300	●	●	●	●	●	●
TBA 120	220.120.000	123	121	80	110	90	240	●	●	●	●	●	●
TBA 122	220.122.000	201	121	80	188	90	400	●	●	●	●	●	●
TBA 160	220.160.000	161	161	80	148	130	450	●	●	●	●	●	●
TBA 162	220.162.000	241	161	80	228	130	650	●	●	●	●	●	●

* On request

□ Standard ● Available ○ Not available

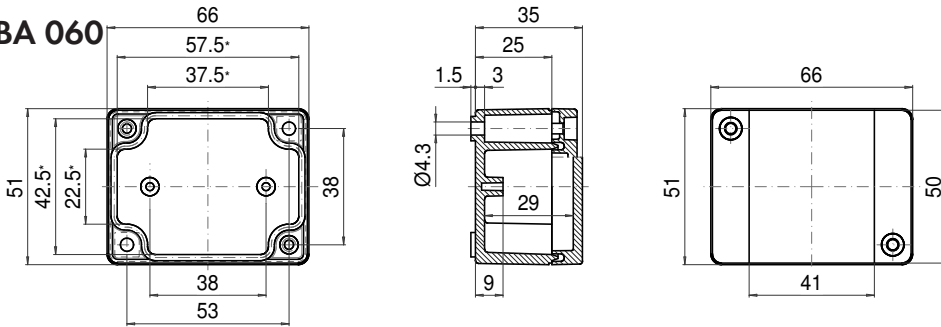
Approvals:



ROLEC Attachment and mounting dimensions

technoBOX

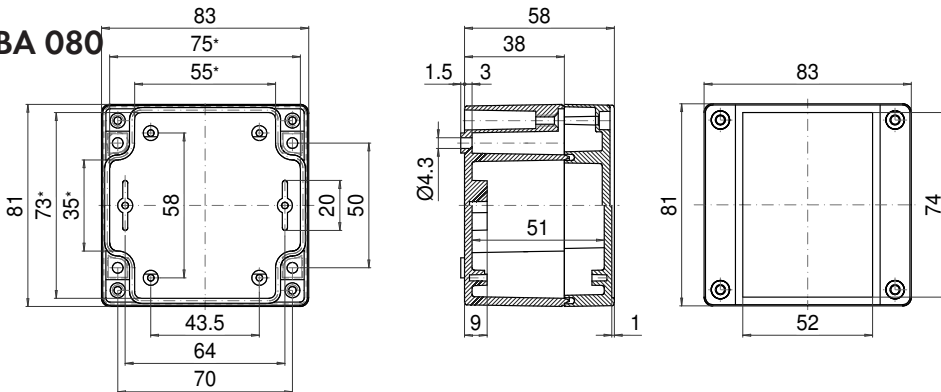
TBA 060



Maximum number of cable glands per enclosure side			
A	B	C	D
M 16	PG 7	2	1
	PG 9	2	1
	PG 11		
M 20	PG 13,5		
	PG 16		
M 25	PG 21		
M 32	PG 29		
M 40	PG 36		
M 50	PG 42		
M 63	PG 48		

* Please note: Mould slope for casting ejection, dimensions in the amount of the bottom!

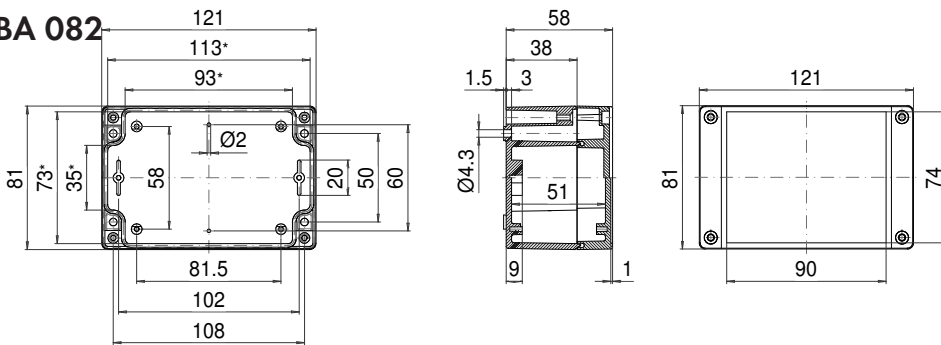
TBA 080



Maximum number of cable glands per enclosure side			
A	B	C	D
M 16	PG 7	4	2
	PG 9	3	1
	PG 11	2	1
M 20	PG 13,5	2	1
	PG 16	2	1
M 25	PG 21		
M 32	PG 29		
M 40	PG 36		
M 50	PG 42		
M 63	PG 48		

* Please note: Mould slope for casting ejection, dimensions in the amount of the bottom!

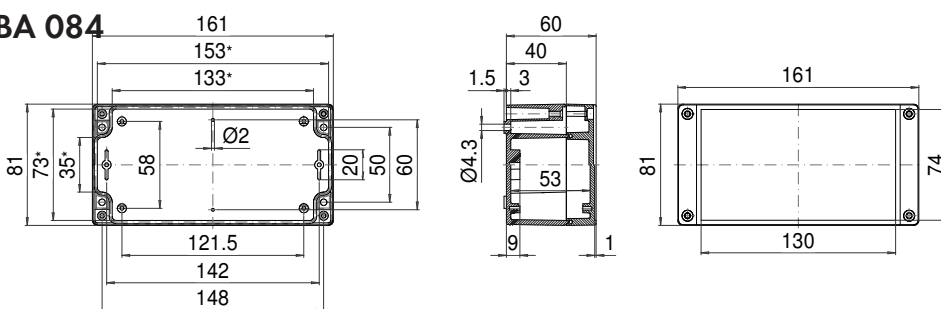
TBA 082



Maximum number of cable glands per enclosure side			
A	B	C	D
M 16	PG 7	8	3
	PG 9	5	2
	PG 11	4	1
M 20	PG 13,5	3	1
	PG 16	3	1
M 25	PG 21		
M 32	PG 29		
M 40	PG 36		
M 50	PG 42		
M 63	PG 48		

* Please note: Mould slope for casting ejection, dimensions in the amount of the bottom!

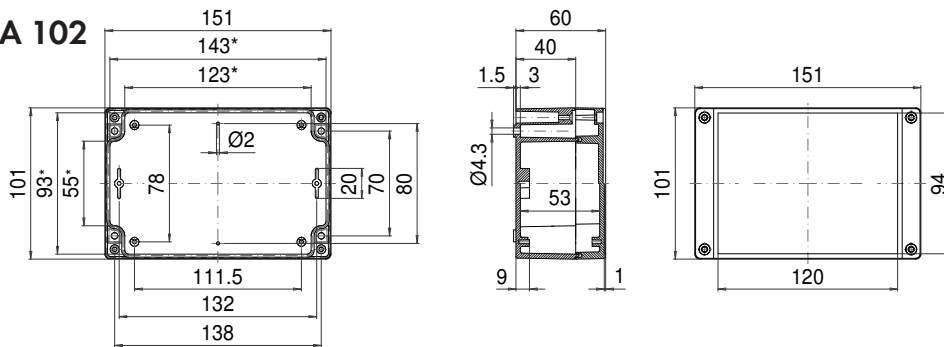
TBA 084



Maximum number of cable glands per enclosure side			
A	B	C	D
M 16	PG 7	13	3
	PG 9	8	2
	PG 11	6	1
M 20	PG 13,5	5	1
	PG 16	4	1
M 25	PG 21		
M 32	PG 29		
M 40	PG 36		
M 50	PG 42		
M 63	PG 48		

* Please note: Mould slope for casting ejection, dimensions in the amount of the bottom!

TBA 102

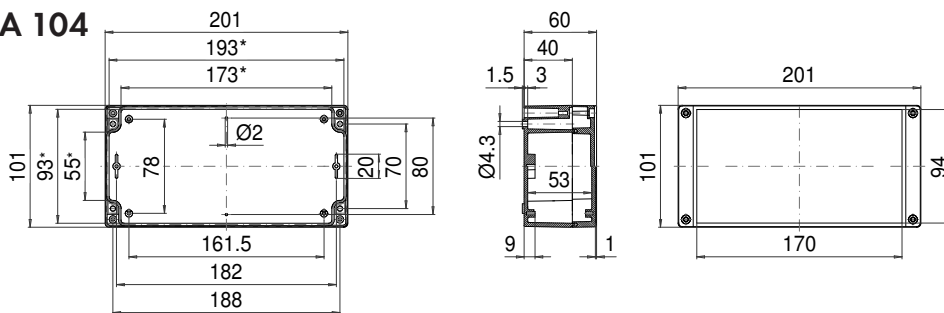


* Please note: Mould slope for casting ejection, dimensions in the amount of the bottom!

Maximum number of cable glands per enclosure side

A		A/B/C/D	
C	D	A	B
		PG 7	16 6
M 16		PG 9	8 4
		PG 11	7 3
M 20		PG 13,5	5 2
		PG 16	3 1
M 25		PG 21	3 1
M 32		PG 29	
M 40		PG 36	
M 50		PG 42	
M 63		PG 48	

TBA 104

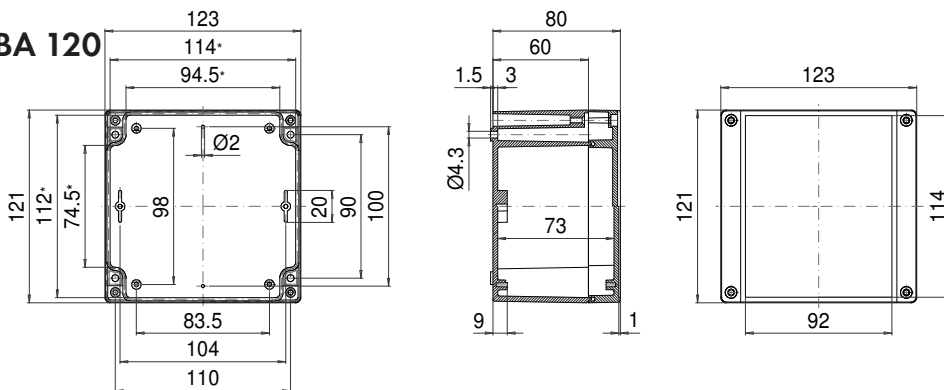


* Please note: Mould slope for casting ejection, dimensions in the amount of the bottom!

Maximum number of cable glands per enclosure side

A		A/B/C/D	
C	D	A	B
		PG 7	23 6
M 16		PG 9	12 4
		PG 11	9 3
M 20		PG 13,5	7 2
		PG 16	5 1
M 25		PG 21	4 1
M 32		PG 29	
M 40		PG 36	
M 50		PG 42	
M 63		PG 48	

TBA 120

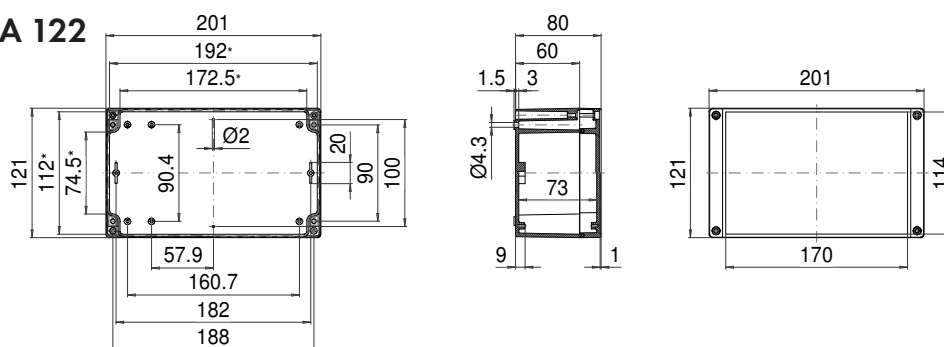


* Please note: Mould slope for casting ejection, dimensions in the amount of the bottom!

Maximum number of cable glands per enclosure side

A		A/B/C/D	
C	D	A	B
		PG 7	15 12
M 16		PG 9	10 9
		PG 11	8 6
M 20		PG 13,5	6 6
		PG 16	6 4
M 25		PG 21	4 3
M 32		PG 29	2 1
M 40		PG 36	1 1
M 50		PG 42	
M 63		PG 48	

TBA 122



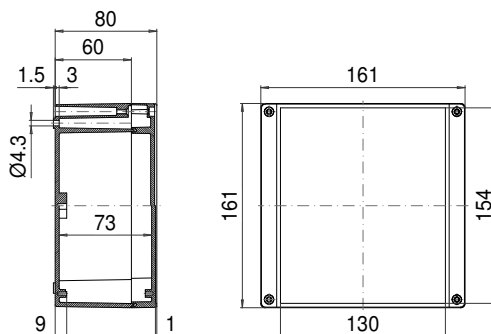
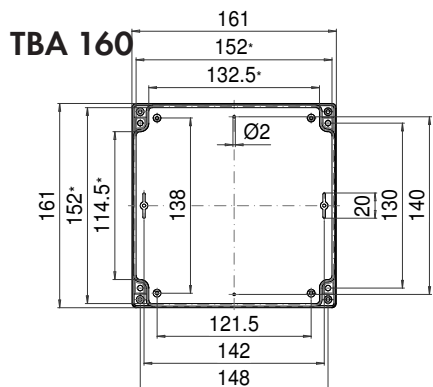
* Please note: Mould slope for casting ejection, dimensions in the amount of the bottom!

Maximum number of cable glands per enclosure side

A		A/B/C/D	
C	D	A	B
		PG 7	20 8
M 16		PG 9	16 6
		PG 11	12 4
M 20		PG 13,5	12 4
		PG 16	7 3
M 25		PG 21	4 2
M 32		PG 29	3 1
M 40		PG 36	
M 50		PG 42	
M 63		PG 48	

ROLEC Attachment and mounting dimensions

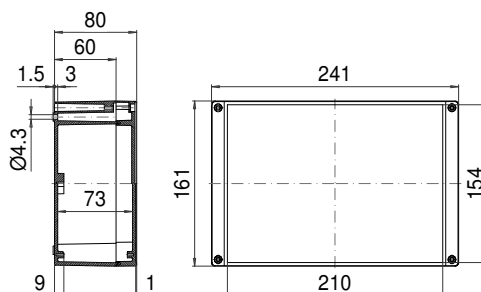
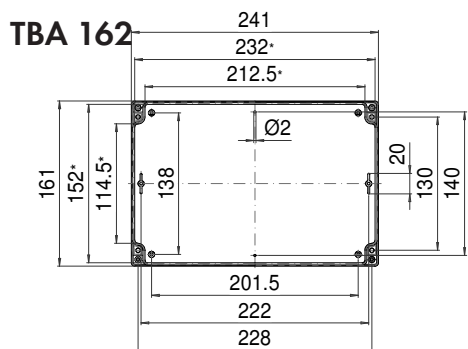
technoBOX



Maximum number of cable glands per enclosure side

A		A/B	C/D
C	B		
		PG 7	18 16
M 16		PG 9	10 8
		PG 11	8 7
M 20		PG 13,5	6 5
		PG 16	4 4
M 25		PG 21	3 3
M 32		PG 29	
M 40		PG 36	
M 50		PG 42	
M 63		PG 48	

* Please note: Mould slope for casting ejection, dimensions in the amount of the bottom!



Maximum number of cable glands per enclosure side

A		A/B	C/D
C	B		
		PG 7	30 16
M 16		PG 9	24 8
		PG 11	16 7
M 20		PG 13,5	16 5
		PG 16	12 4
M 25		PG 21	6 3
M 32		PG 29	4
M 40		PG 36	2
M 50		PG 42	2
M 63		PG 48	

* Please note: Mould slope for casting ejection, dimensions in the amount of the bottom!