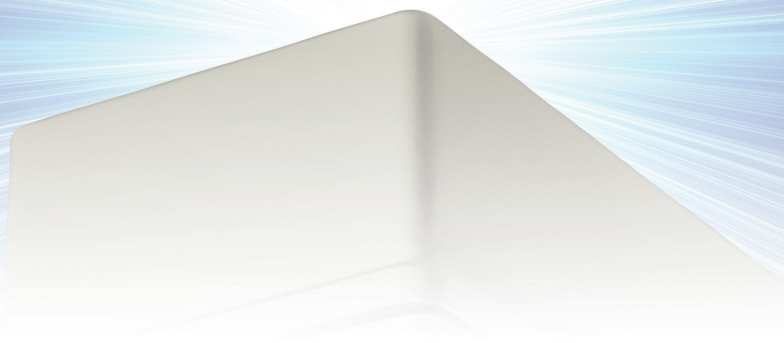
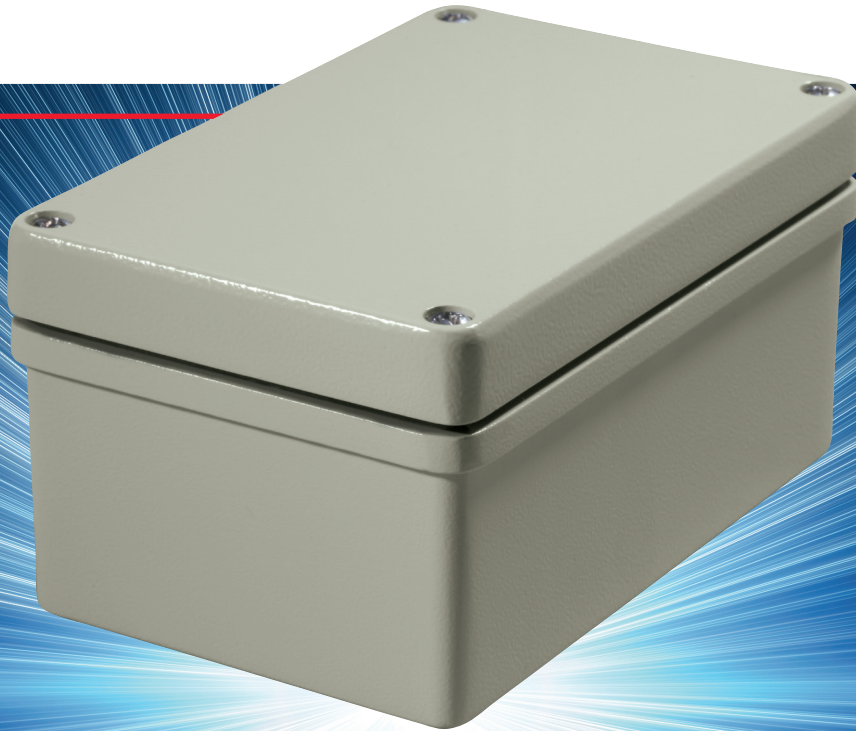




Our *passion* is enclosures.



# conFORM

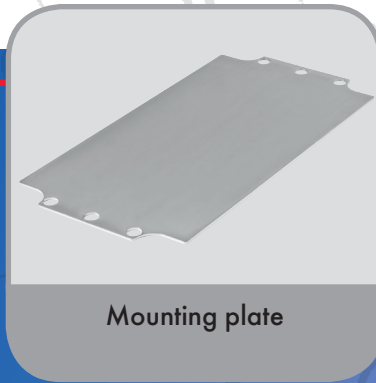
EMC conform enclosures made of aluminium

# Technical data

## conFORM



External mounting bracket



Mounting plate



„conTROL“ variant with protection wall



Hold hinge



Internal hinge



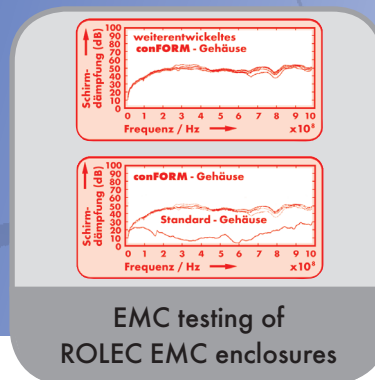
Gear tooth system



Installation kit



Silicone gasket



EMC testing of ROLEC EMC enclosures

**Enclosure:** Die-cast aluminium EN AN-44300 DIN EN 1706 (GD AL SI 12 / DIN 1725). 1° mould slope for casting ejection, internal measures diminishing circulatory towards enclosure bottom by 1°.

**EMC protection:** Contact between lid and enclosure bottom via a gear tooth system.

**Components:** Fastening points in lid and enclosure bottom

**Fastening:** Separate screw holes.

**Ingress protection:** IP66 / EN 60529

**Gasket:** TPE moulded gasket, silicone-free (-40°C to +120°C)

**Lid screws:** Stainless steel 1.4567 (V2A), captive

**Surface:** Powder coating in RAL 7032, silky grey

### Optionally available:

**External mounting:** Die-cast zinc (Zn Al 4 Cu 1)

**Mounting plates:** Sheet steel, galvanised

**Installation kit:** Console panel integration with installation kit

**Gasket:** Silicone gasket (-50°C to +140°C)

**Ingress protection:** IP67 / EN 60529

**Surface:** Corrosion protection, special colours

**Further options, see delivery overview.**

Delivery overview conFORM																	
Type	Mat. no.	L	W	H	D	E	g	M	D	A	L	T	S	EM	DH	EMC	67
EKF 081	111.081.000	79	84	44	63	52	260	●	●	●	●	●	●	●	○	□	●
EKF 082	111.082.000	130	85	44	113	52	408	●	●	●	●	●	●	●	○	□	●
EKF 083	111.083.000	180	85	44	163	52	538	●	●	●	●	●	●	●	○	□	●
EKF 121	111.121.000	127	125	60	106	82	880	●	●	●	●	●	●	●	○	□	●
EKF 123	111.123.000	226	126	60	204	82	1.150	●	●	●	●	●	●	●	○	□	●
EKF 161	111.161.000	166	166	60	140	110	1.320	●	●	●	●	●	●	●	○	□	●
EKF 162	111.162.000	268	168	60	240	110	1.880	●	●	●	●	●	●	●	○	□	●
EK 081	110.081.000	79	84	67	63	52	320	●	●	●	●	●	●	●	●	□	●
EK 082	110.082.000	130	85	67	113	52	514	●	●	●	●	●	●	●	●	□	●
EK 083	110.083.000	180	85	67	163	52	666	●	●	●	●	●	●	●	●	□	●
EK 121	110.121.000	127	125	90	106	82	1.050	●	●	●	●	●	●	●	●	□	●
EK 123	110.123.000	226	126	90	204	82	1.386	●	●	●	●	●	●	●	●	□	●
EK 161	110.161.000	166	166	100	140	110	1.550	●	●	●	●	●	●	●	●	□	●
EK 162	110.162.000	268	168	100	240	110	2.128	●	●	●	●	●	●	●	●	□	●

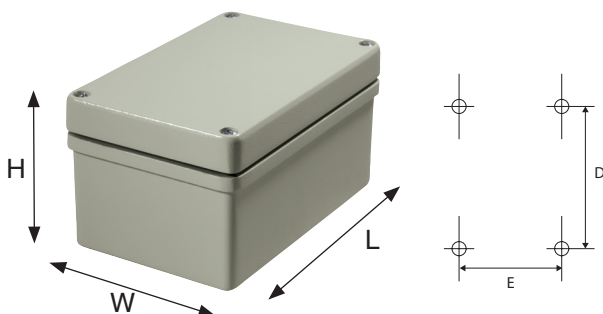
Delivery overview conTROL																	
Type	Mat. no.	L	W	H	D	E	g	M	D	A	L	T	S	EM	DH	EMC	67
EKTF 082	311.082.000	129,8	84,8	55,0	113	52	450	●	●	●	●	●	●	●	○	□	●
EKTF 083	311.083.000	179,8	84,8	55,0	163	52	600	●	●	●	●	●	●	●	○	□	●
EKT 082	310.082.000	129,8	84,8	78,0	113	52	600	●	●	●	●	●	●	●	●	□	●
EKT 083	310.083.000	179,8	84,8	78,0	163	52	750	●	●	●	●	●	●	●	●	□	●

□ Standard ● Available ○ Not available

Approvals:  
conFORM:



Approvals:  
conTROL:

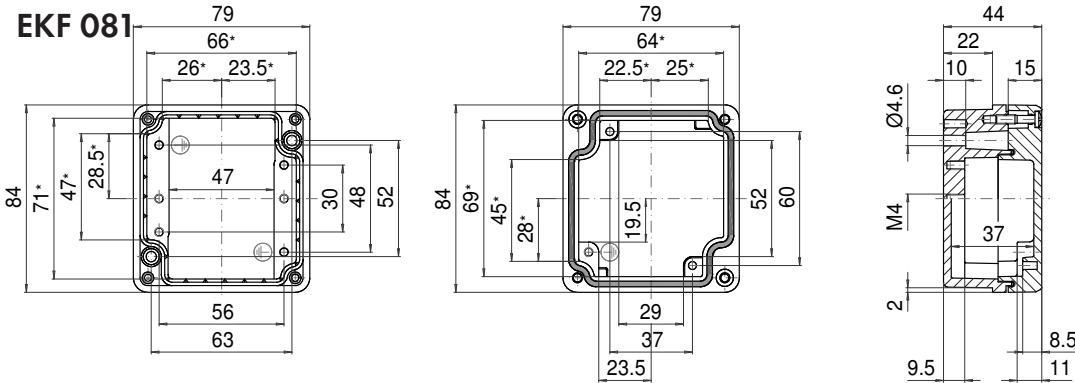




# ROLEC Attachment and mounting dimensions

## conFORM

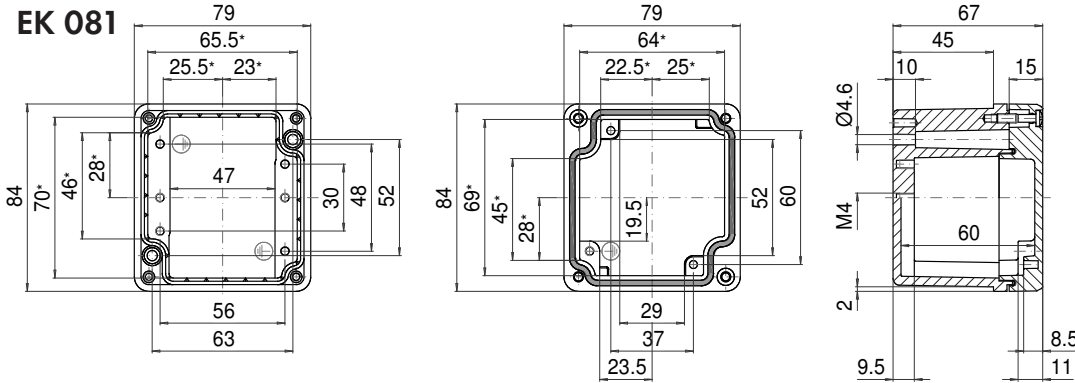
**EKF 081**



Maximum number of cable glands per enclosure side			
A	B	C	D
PG 7	2	1	
M 16	PG 9	1	1
	PG 11	1	1
M 20	PG 13,5		
	PG 16		
M 25	PG 21		
M 32	PG 29		
M 40	PG 36		
M 50	PG 42		
M 63	PG 48		

\* Please note: Mould slope for casting ejection, dimensions in the amount of the bottom!

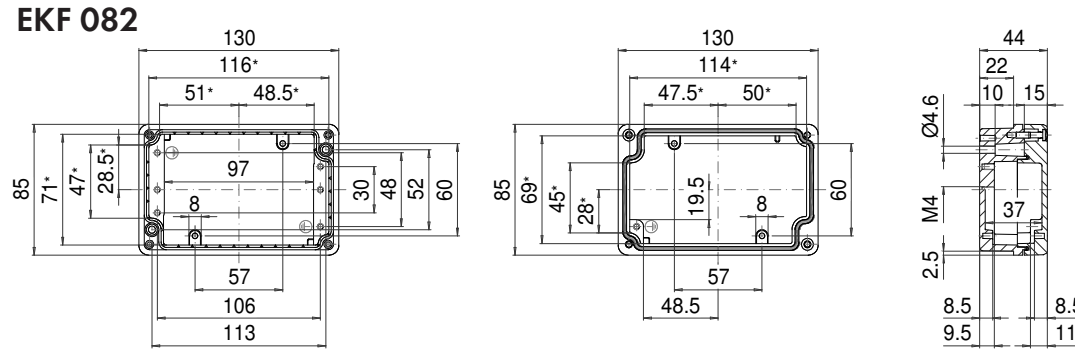
**EK 081**



Maximum number of cable glands per enclosure side			
A	B	C	D
PG 7	3	2	
M 16	PG 9	3	2
	PG 11	2	1
M 20	PG 13,5	1	1
	PG 16	1	1
M 25	PG 21		
M 32	PG 29		
M 40	PG 36		
M 50	PG 42		
M 63	PG 48		

\* Please note: Mould slope for casting ejection, dimensions in the amount of the bottom!

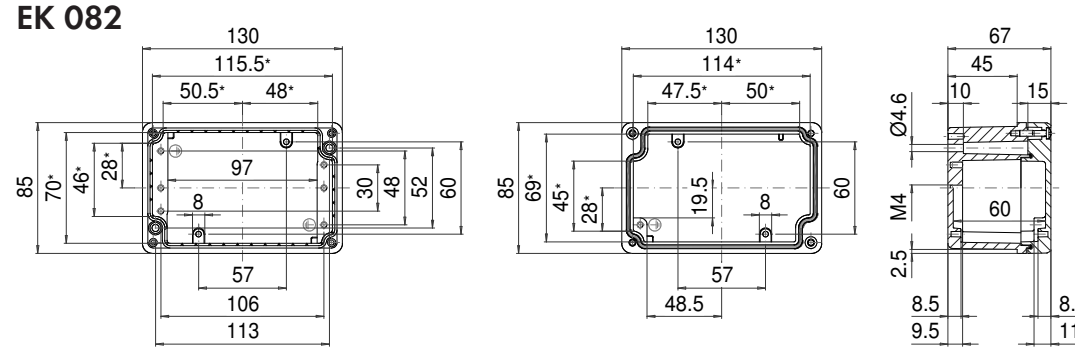
**EKF 082**



Maximum number of cable glands per enclosure side			
A	B	C	D
PG 7	3	1	
M 16	PG 9	2	1
	PG 11	2	1
M 20	PG 13,5	1	
	PG 16	1	
M 25	PG 21		
M 32	PG 29		
M 40	PG 36		
M 50	PG 42		
M 63	PG 48		

\* Please note: Mould slope for casting ejection, dimensions in the amount of the bottom!

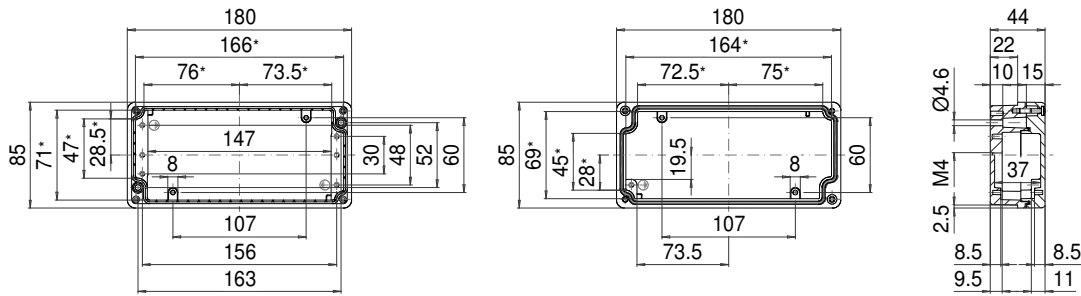
**EK 082**



Maximum number of cable glands per enclosure side			
A	B	C	D
PG 7	6	2	
M 16	PG 9	5	2
	PG 11	4	1
M 20	PG 13,5	3	1
	PG 16	3	1
M 25	PG 21		
M 32	PG 29		
M 40	PG 36		
M 50	PG 42		
M 63	PG 48		

\* Please note: Mould slope for casting ejection, dimensions in the amount of the bottom!

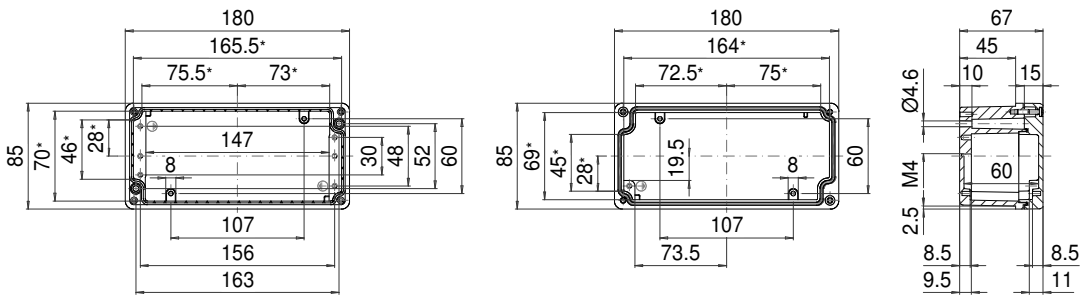
### EKF 083



\* Please note: Mould slope for casting ejection, dimensions in the amount of the bottom!

Maximum number of cable glands per enclosure side					
A	B	C	D	A/B	C/D
				PG 7	4 1
M 16				PG 9	4 1
				PG 11	3
M 20				PG 13,5	2
				PG 16	2
M 25				PG 21	
M 32				PG 29	
M 40				PG 36	
M 50				PG 42	
M 63				PG 48	

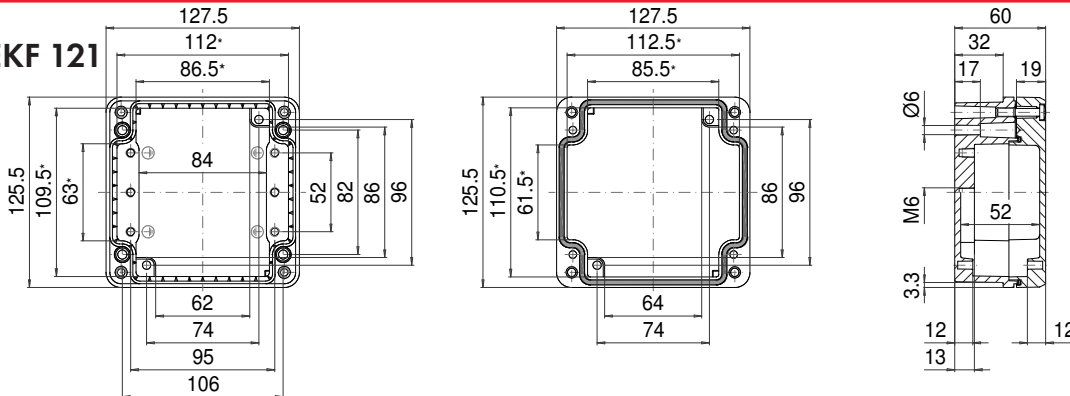
### EK 083



\* Please note: Mould slope for casting ejection, dimensions in the amount of the bottom!

Maximum number of cable glands per enclosure side					
A	B	C	D	A/B	C/D
				PG 7	9 2
M 16				PG 9	8 2
				PG 11	6 1
M 20				PG 13,5	5 1
				PG 16	4 1
M 25				PG 21	
M 32				PG 29	
M 40				PG 36	
M 50				PG 42	
M 63				PG 48	

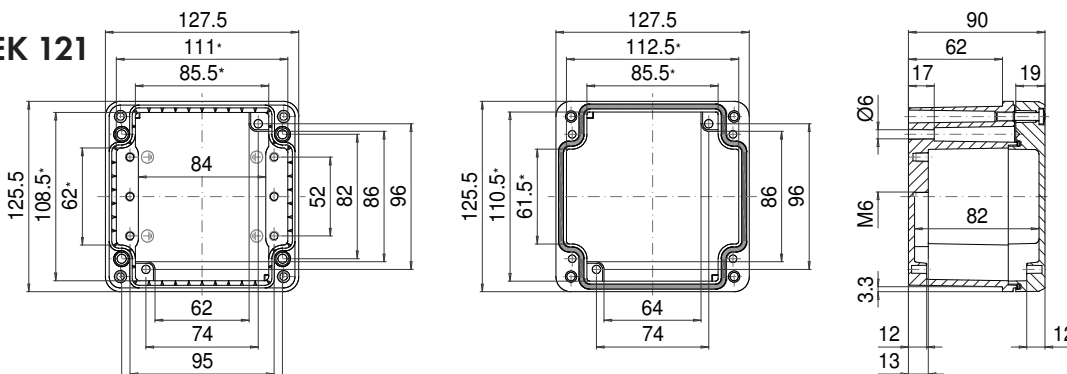
### EKF 121



\* Please note: Mould slope for casting ejection, dimensions in the amount of the bottom!

Maximum number of cable glands per enclosure side					
A	B	C	D	A/B	C/D
				PG 7	4 3
M 16				PG 9	3 2
				PG 11	3 1
M 20				PG 13,5	2 1
				PG 16	1 1
M 25				PG 21	
M 32				PG 29	
M 40				PG 36	
M 50				PG 42	
M 63				PG 48	

### EK 121



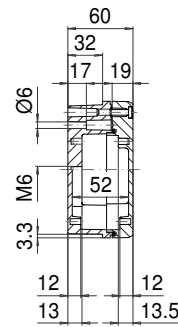
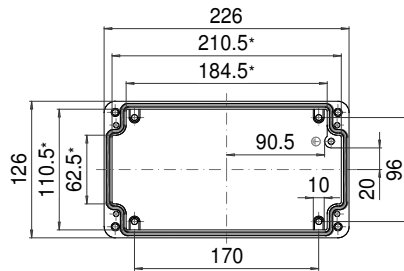
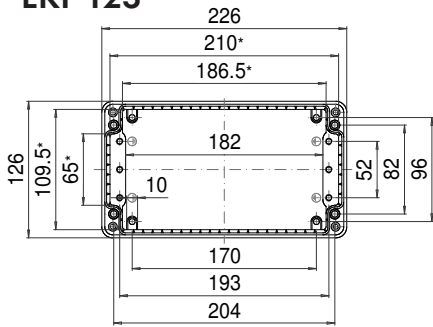
\* Please note: Mould slope for casting ejection, dimensions in the amount of the bottom!

Maximum number of cable glands per enclosure side					
A	B	C	D	A/B	C/D
				PG 7	8 6
M 16				PG 9	6 4
				PG 11	6 3
M 20				PG 13,5	5 3
				PG 16	3 2
M 25				PG 21	2 1
M 32				PG 29	1
M 40				PG 36	
M 50				PG 42	
M 63				PG 48	

# ROLEC Attachment and mounting dimensions

## conFORM

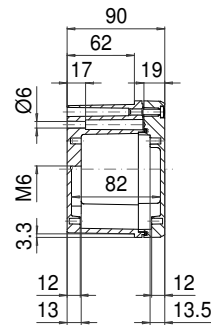
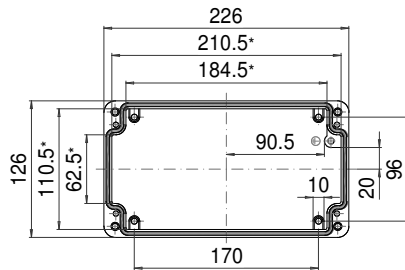
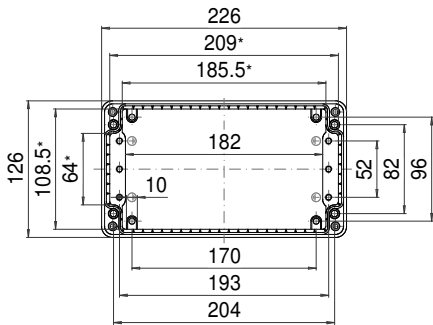
### EKF 123



Maximum number of cable glands per enclosure side			
A	B	C/D	A/B/C/D
PG 7	10	3	
M 16	PG 9	7	2
	PG 11	7	1
M 20	PG 13,5	5	1
	PG 16	3	1
M 25	PG 21		
M 32	PG 29		
M 40	PG 36		
M 50	PG 42		
M 63	PG 48		

\* Please note: Mould slope for casting ejection, dimensions in the amount of the bottom!

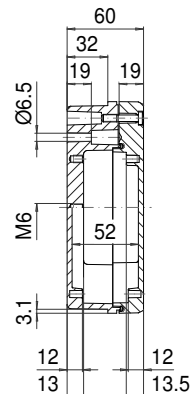
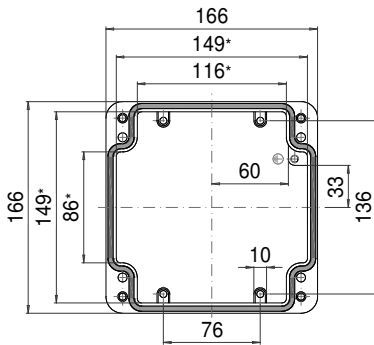
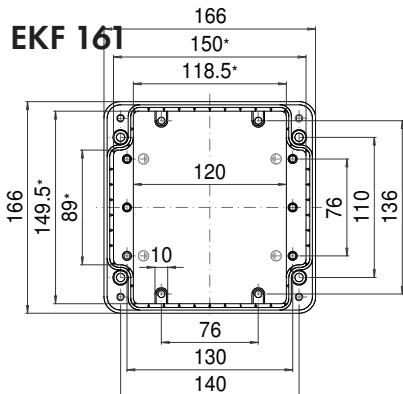
### EK 123



Maximum number of cable glands per enclosure side			
A	B	C/D	A/B/C/D
PG 7	15	6	
M 16	PG 9	14	4
	PG 11	11	3
M 20	PG 13,5	7	3
	PG 16	4	2
M 25	PG 21	3	1
M 32	PG 29		
M 40	PG 36		
M 50	PG 42		
M 63	PG 48		

\* Please note: Mould slope for casting ejection, dimensions in the amount of the bottom!

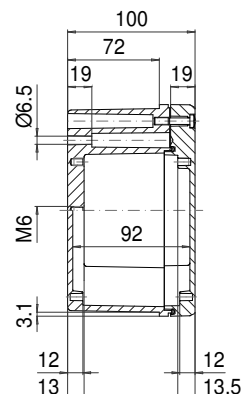
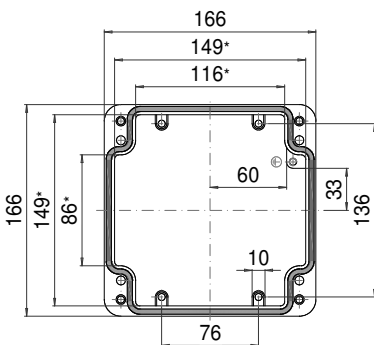
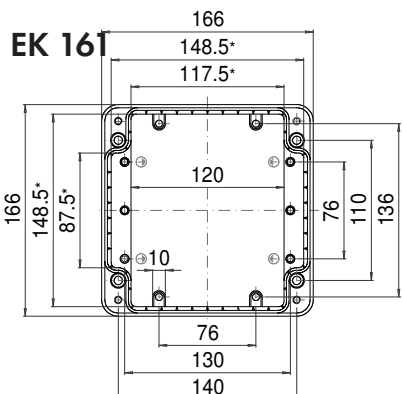
### EKF 161



Maximum number of cable glands per enclosure side			
A	B	C/D	A/B/C/D
PG 7	7	4	
M 16	PG 9	7	4
	PG 11	4	3
M 20	PG 13,5	4	3
	PG 16	3	1
M 25	PG 21		
M 32	PG 29		
M 40	PG 36		
M 50	PG 42		
M 63	PG 48		

\* Please note: Mould slope for casting ejection, dimensions in the amount of the bottom!

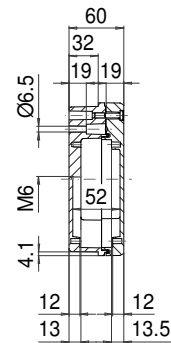
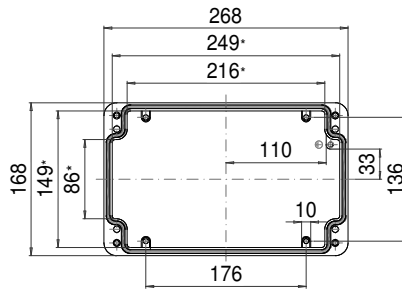
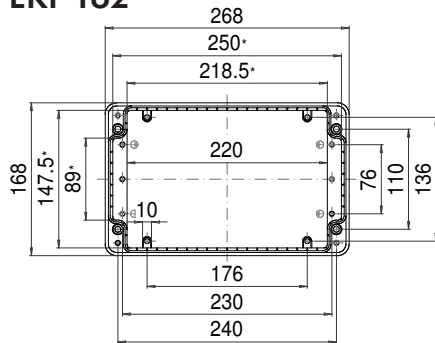
### EK 161



Maximum number of cable glands per enclosure side			
A	B	C/D	A/B/C/D
PG 7	15	9	
M 16	PG 9	14	8
	PG 11	9	6
M 20	PG 13,5	8	6
	PG 16	6	3
M 25	PG 21	2	2
M 32	PG 29	2	1
M 40	PG 36	1	
M 50	PG 42		
M 63	PG 48		

\* Please note: Mould slope for casting ejection, dimensions in the amount of the bottom!

### EKF 162

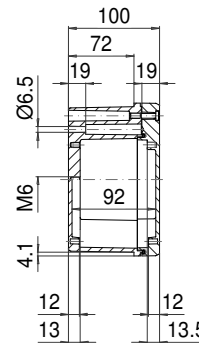
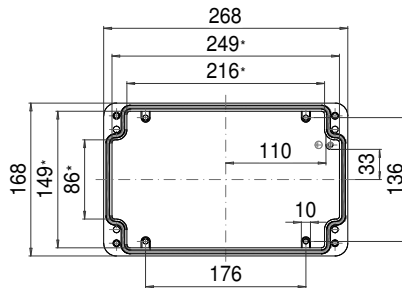
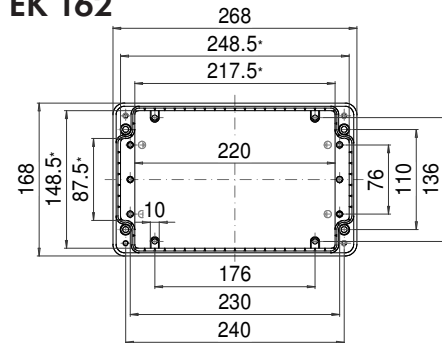


Maximum number of cable glands per enclosure side

C	A		A/B C/D	
	B	D	A/B	C/D
M 16	PG 7	15	4	4
M 20	PG 11	9	3	3
M 25	PG 16	6	1	1
M 32	PG 29			
M 40	PG 36			
M 50	PG 42			
M 63	PG 48			

\* Please note: Mould slope for casting ejection, dimensions in the amount of the bottom!

### EK 162



Maximum number of cable glands per enclosure side

C	A		A/B C/D	
	B	D	A/B	C/D
M 16	PG 7	30	9	9
M 20	PG 11	18	6	6
M 25	PG 16	12	3	3
M 32	PG 29	3	1	1
M 40	PG 36	3		
M 50	PG 42			
M 63	PG 48			

\* Please note: Mould slope for casting ejection, dimensions in the amount of the bottom!

